

# 1



## Project #1

Brass Accents, Vetrazzo Countertops, Flush Mounted Induction, 18" UF Broiler, Pedestal Mounted Sodor Cheesemelter, Inset Heated Soup Wells, Brass Belly Bar, Portable Fryer Filter, Heated Plate Cabinet, Pasta Cooker, Integral Bain Marie



CREATE THE ULTIMATE COOKING CENTER WITH YOUR CHOICE OF EQUIPMENT, ACCESSORIES AND FUNCTIONALITY!



Accent your Excalibur Cooking Suite with a 10-Gauge, 304 SS Top with 3/8" (10mm) Solid Brass Belly Bar.



For added convenience, Recessed Duplex Outlets provide instant power for busy kitchens.



Personalize your suite with beautiful and durable Vetrazzo Mosaic Counter Tops that allow for easy clean-ups.



Featuring an adjustable heating range of 250°-450°F, this Baker's Slate, Specialty Baking Hearth is the perfect addition.



Incorporate any cooking method including a flush mounted, drop-in induction cooktop.



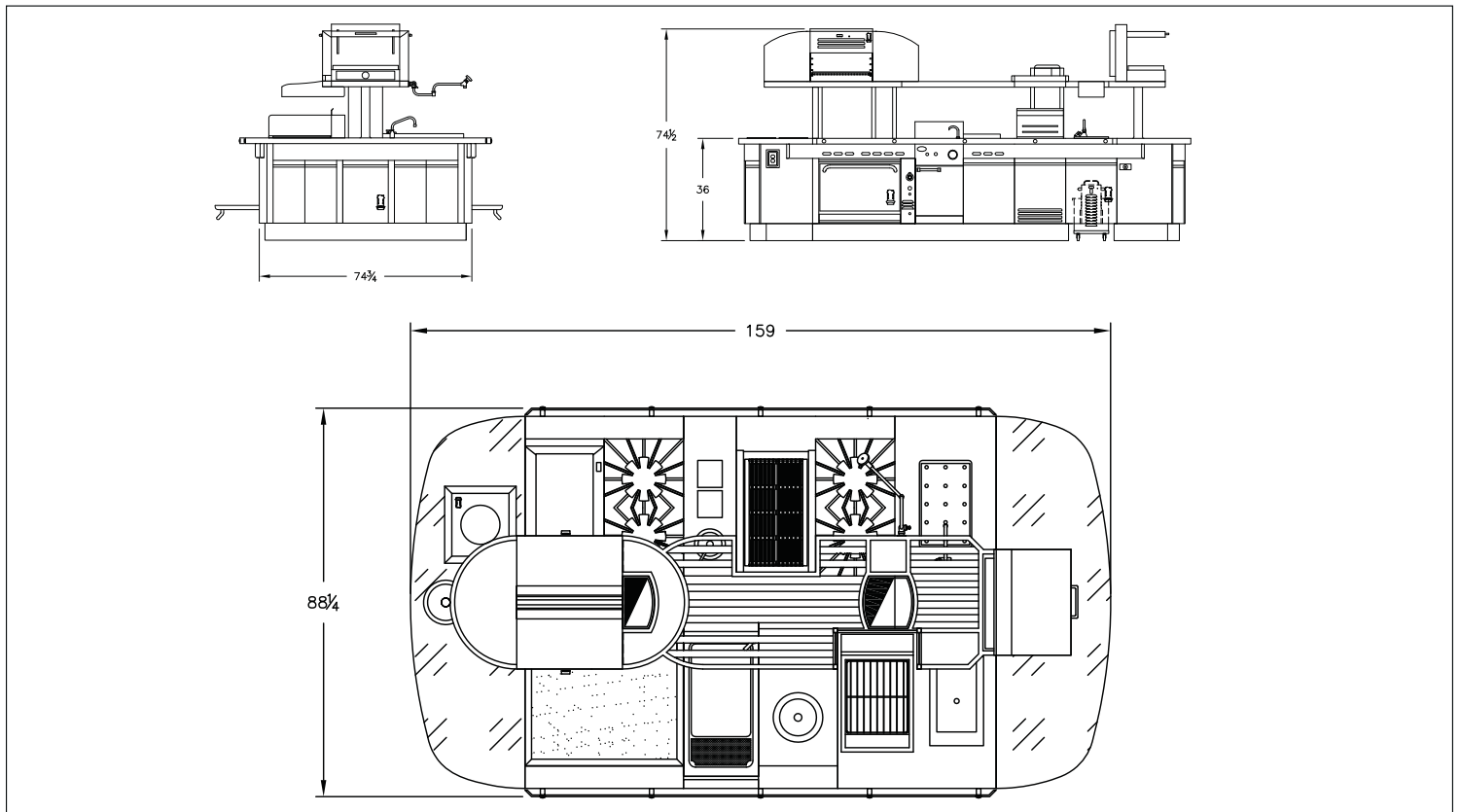
Add a space-saving 18" (457mm) Legend Broiler with reversible ULTRA-FLOW cast iron grate sections.

# EXCALIBUR™

## THE ULTIMATE CUSTOM SUITE

Requested and respected by chefs world-wide, Montague's industry-recognized Excalibur™ Cooking Suites feature heavy-duty quality and a sleek appearance. Individual Montague cooking components combine to create a unitized singular cooking suite with concealed center flues.

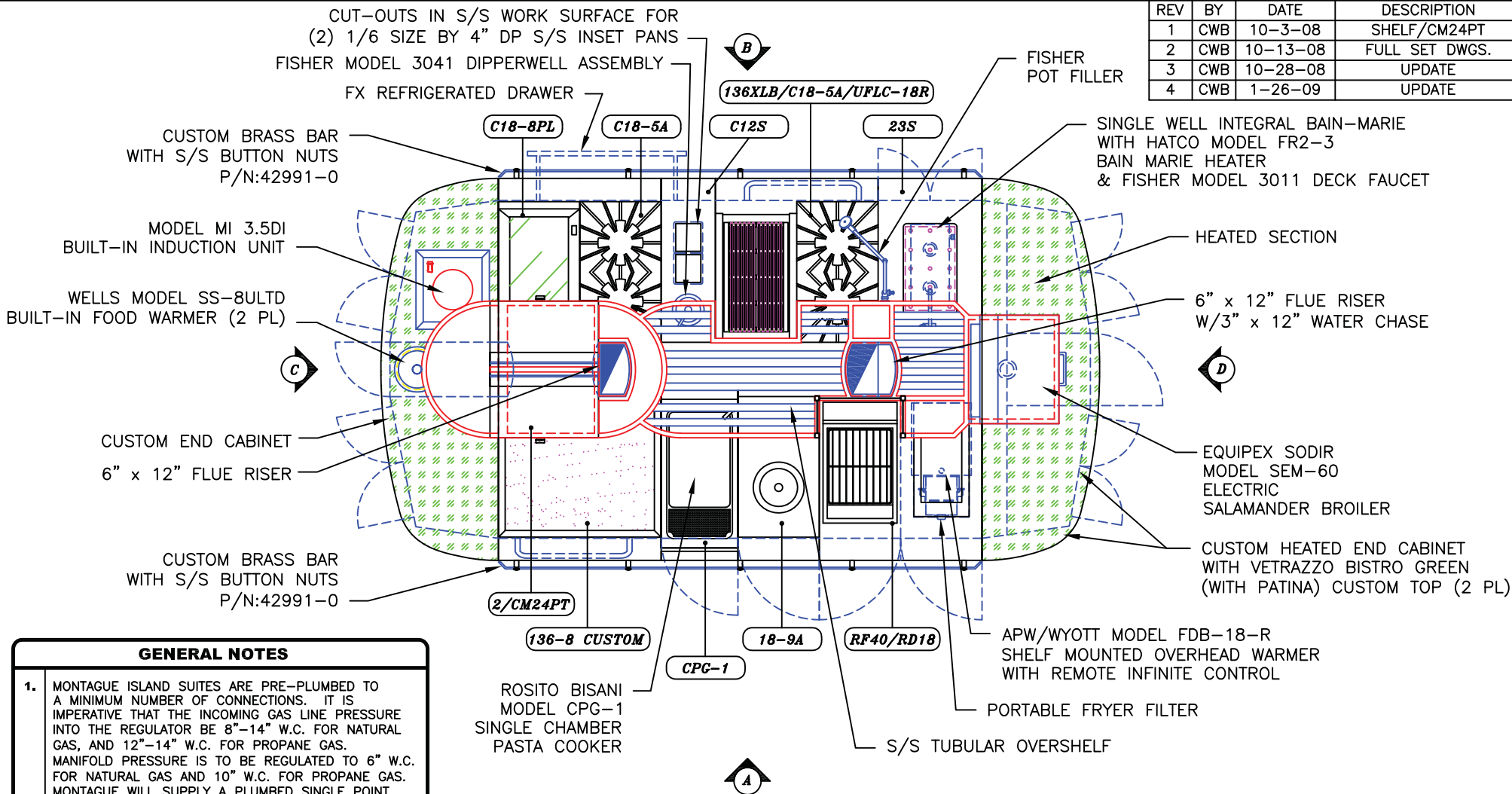
The Excalibur can be configured with a variety of efficient options including convenient Pass-Thru Ovens, Vectaire Convection Ovens and One-Piece Seamless Top and Guard Rails to contain spills and simplify cleanups. Controls can be positioned on either side of the island suite and Cook Top options can include induction, open top grates, French top, Even Heat Hot Top, Plancha Grills and more.



**THE MONTAGUE COMPANY**  
 1830 Stearman Avenue, Hayward, CA 94540  
 800 345-1830 · Fax: 510 785-3342  
[www.montaguecompany.com](http://www.montaguecompany.com)



REV	BY	DATE	DESCRIPTION
1	CWB	10-3-08	SHELF/CM24PT
2	CWB	10-13-08	FULL SET DWGS.
3	CWB	10-28-08	UPDATE
4	CWB	1-26-09	UPDATE



**OVERALL SIZE: 13'-3" x 7'-4 1/4"**

CUSTOM ISLAND SUITE  
GAS; NATURAL @ 6" W.C.  
549,000 BTU/HR TOTAL

**GENERAL NOTES**

- MONTAGUE ISLAND SUITES ARE PRE-PLUMBED TO A MINIMUM NUMBER OF CONNECTIONS. IT IS IMPERATIVE THAT THE INCOMING GAS LINE PRESSURE INTO THE REGULATOR BE 8"-14" W.C. FOR NATURAL GAS, AND 12"-14" W.C. FOR PROPANE GAS. MANIFOLD PRESSURE IS TO BE REGULATED TO 6" W.C. FOR NATURAL GAS AND 10" W.C. FOR PROPANE GAS. MONTAGUE WILL SUPPLY A PLUMBED SINGLE POINT CONNECTION INCLUDING REGULATOR WITH SHUT-OFF VALVE INSTALLED AT ACCESS POINT OF ISLAND SUITE. FINAL GAS INLET PIPE SIZE MUST MATCH PIPE SIZE SHOWN ON UTILITY PLAN (P. 5 OF 7) WITH SUPPLY PLUMBING EXCEEDING MAXIMUM FLOW RATE OF THE INSTALLATION. IT IS THE RESPONSIBILITY OF THE CUSTOMER TO SUPPLY THE CORRECT LINE SIZE AND GAS VOLUME REQUIRED TO THE GAS CONNECTION POINT AS REQUIRED BY THE ISLAND SUITE. SUPPLIED REGULATOR CONTAINS A LEAK LIMITING DEVICE AND DOES NOT REQUIRE A VENT LINE FOR PROPER AND SAFE OPERATION. SOME LOCAL CODES MAY REQUIRE VENTING TO AN OUTSIDE OR EXTERIOR LOCATION. PRESSURE REGULATOR MUST BE INSTALLED IN A HORIZONTAL AND UPRIGHT POSITION AND IN ACCORDANCE WITH ALL LOCAL AND GOVERNMENT CODES AND/OR REGULATIONS.
- ALL EQUIPMENT TO BE ON 6" S/S CURB
- MONTAGUE STRONGLY RECOMMENDS THAT EXCALIBUR SUITES BE INSTALLED ON NON-COMBUSTIBLE FLOORS.

**PRODUCTION SUBMITTAL**

CUSTOMER APPROVAL	
<input type="checkbox"/>	APPROVED AS SUBMITTED
<input type="checkbox"/>	APPROVED AS NOTED
<input type="checkbox"/>	REVISE AND RESUBMIT
SIGNATURE: _____	DATE: _____
PRINT NAME: _____	



THESE DRAWINGS ARE THE EXCLUSIVE PROPERTY OF THE MONTAGUE COMPANY. ANY UNAUTHORIZED USE OF THESE DRAWINGS WILL RESULT IN A MINIMUM \$3,500.00 FEE, PAYABLE BY OWNER OR USER TO THE MONTAGUE COMPANY.

DIMENSIONS ARE IN INCHES

TOLERANCES:

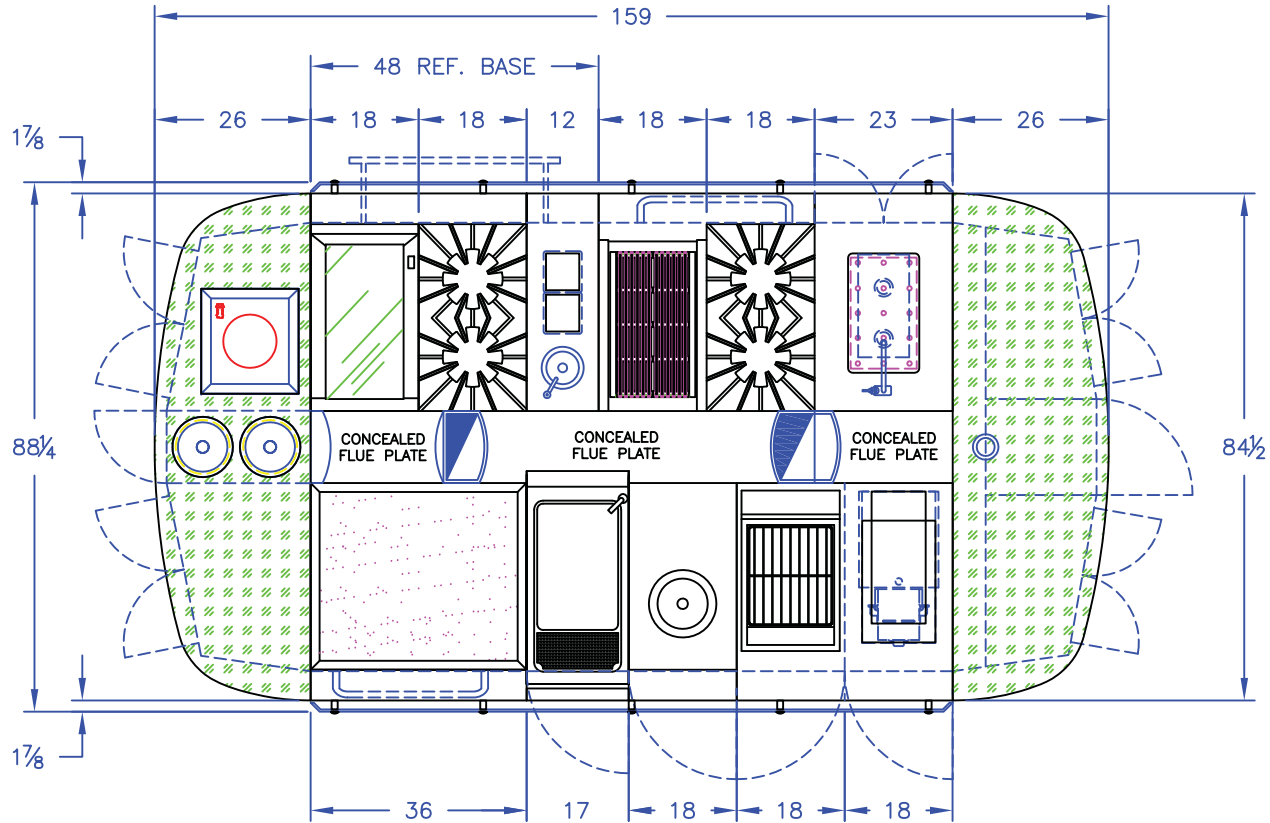
DECIMALS ± 0.020  
FRACTIONS: ± 1/32  
DEGREES: ±

UNLESS OTHERWISE SPECIFIED

THE MONTAGUE COMPANY			
1830 STEARMAN AVENUE HAYWARD, CA 94545			
SALES DWG. - EXCALIBUR			
KEY PLAN			
SCALE	3/8" = 1'-0"	DRAWN	CWB
DATE	9-30-08	APPROVED	BL
SHEET	1 OF 7	DRAWING No.	45087-1
		REV	4

**NOTE: SHELF, CHEESEMELTER AND SALAMANDER BROILER OMITTED FOR CLARITY.**

REV	BY	DATE	DESCRIPTION
1	CWB	10-3-08	SHELF/CM24PT
2	CWB	10-13-08	FULL SET DWGS.
3	CWB	10-28-08	UPDATE
4	CWB	1-26-09	UPDATE



**PRODUCTION SUBMITTAL**

CUSTOMER APPROVAL	
<input type="checkbox"/>	APPROVED AS SUBMITTED
<input type="checkbox"/>	APPROVED AS NOTED
<input type="checkbox"/>	REVISE AND RESUBMIT
SIGNATURE: _____	DATE: _____
PRINT NAME: _____	



THESE DRAWINGS ARE THE EXCLUSIVE PROPERTY OF THE MONTAGUE COMPANY. ANY UNAUTHORIZED USE OF THESE DRAWINGS WILL RESULT IN A MINIMUM \$3,500.00 FEE, PAYABLE BY OWNER OR USER TO THE MONTAGUE COMPANY.

DIMENSIONS ARE IN INCHES

TOLERANCES:

DECIMALS ± 0.020  
 FRACTIONS: ±1/32  
 DEGREES: ±

UNLESS OTHERWISE SPECIFIED

**THE MONTAGUE COMPANY**  
 1830 STEARMAN AVENUE HAYWARD, CA 94545

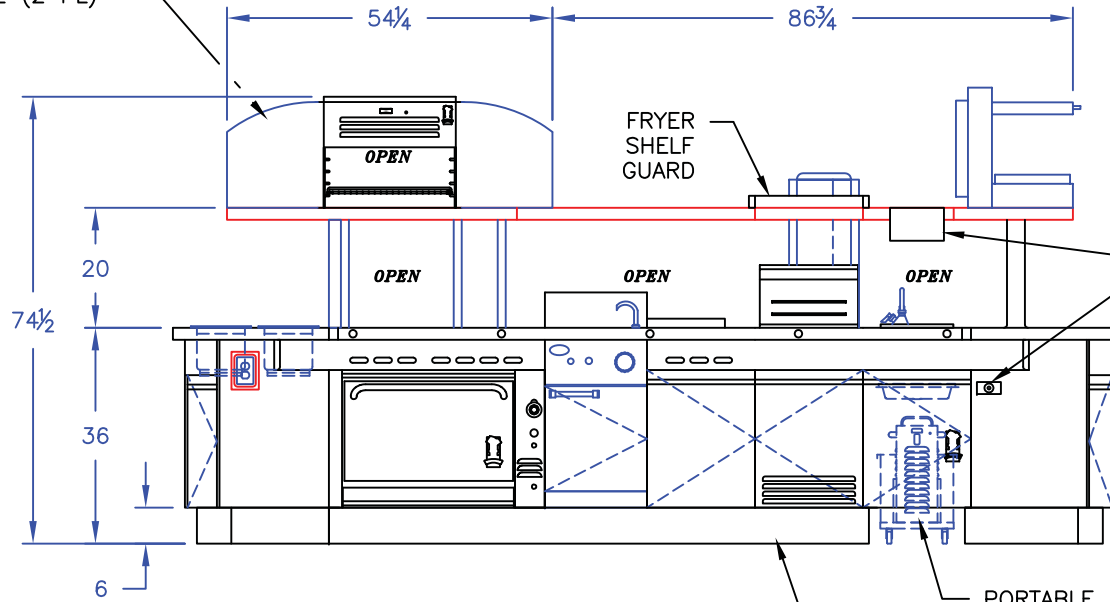
SALES DWG. – EXCALIBUR

DIM PLAN

SCALE	3/8"=1'-0"	DRAWN	CWB
DATE	9-30-08	APPROVED	BL
SHEET	2 OF 7	DRAWING No.	45087-1
		REV	4

REV	BY	DATE	DESCRIPTION
1	CWB	10-3-08	SHELF/CM24PT
2	CWB	10-13-08	FULL SET DWGS.
3	CWB	10-28-08	UPDATE
4	CWB	1-26-09	UPDATE

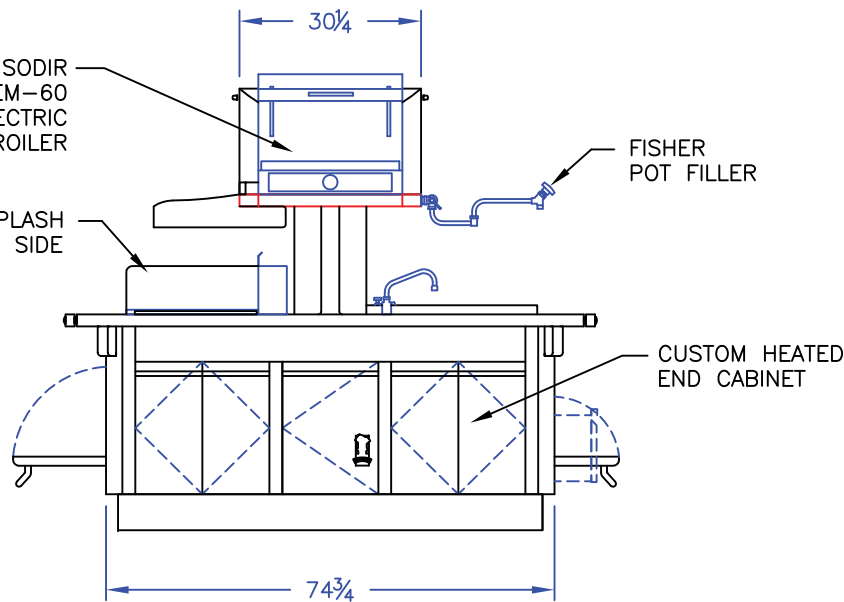
CUSTOM S/S FLUE ENCLOSURE (2 PL)



**A** ELEVATION

EQUIPEX SODIR MODEL SEM-60 ELECTRIC SALAMANDER BROILER

FRYER SPLASH LEFT SIDE



**D** ELEVATION

**PRODUCTION SUBMITTAL**

**CUSTOMER APPROVAL**

- APPROVED AS SUBMITTED
- APPROVED AS NOTED
- REVISE AND RESUBMIT

SIGNATURE: \_\_\_\_\_ DATE: \_\_\_\_\_

PRINT NAME: \_\_\_\_\_



THESE DRAWINGS ARE THE EXCLUSIVE PROPERTY OF THE MONTAGUE COMPANY. ANY UNAUTHORIZED USE OF THESE DRAWINGS WILL RESULT IN A MINIMUM \$3,500.00 FEE, PAYABLE BY OWNER OR USER TO THE MONTAGUE COMPANY.

DIMENSIONS ARE IN INCHES

TOLERANCES:

DECIMALS ± 0.020  
FRACTIONS: ±1/32  
DEGREES: ±

UNLESS OTHERWISE SPECIFIED

**THE MONTAGUE COMPANY**  
1830 STEARMAN AVENUE HAYWARD, CA 94545

SALES DWG. - EXCALIBUR

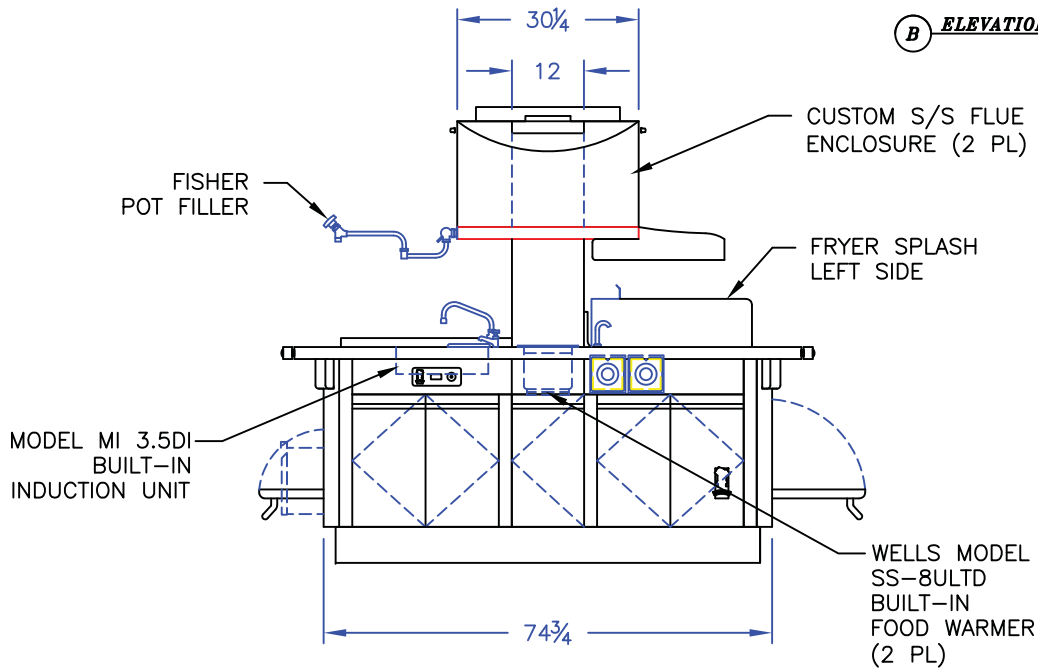
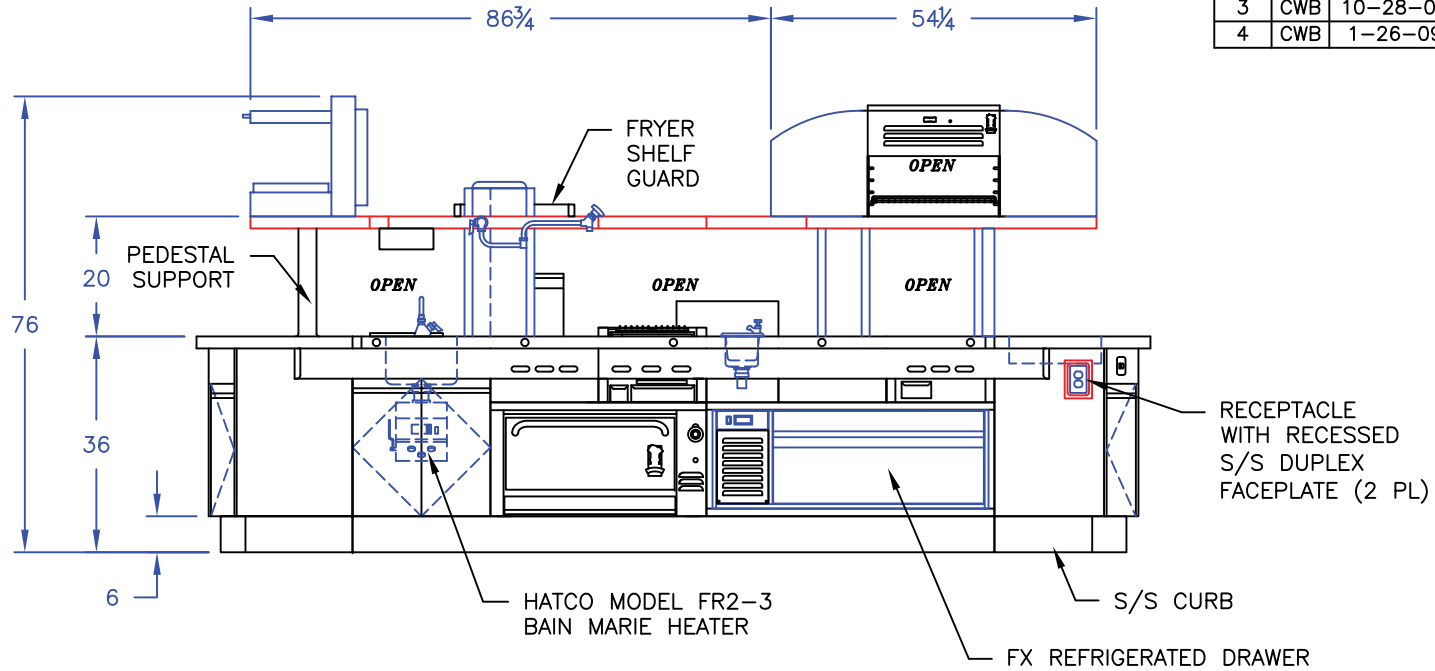
ELEV. PLAN 1

SCALE 3/8"=1'-0"      DRAWN      CWB

DATE 9-30-08      APPROVED      BL

SHEET 3 OF 7      DRAWING No. 45087-1      REV 4

REV	BY	DATE	DESCRIPTION
1	CWB	10-3-08	SHELF/CM24PT
2	CWB	10-13-08	FULL SET DWGS.
3	CWB	10-28-08	UPDATE
4	CWB	1-26-09	UPDATE



### PRODUCTION SUBMITTAL

CUSTOMER APPROVAL	
<input type="checkbox"/>	APPROVED AS SUBMITTED
<input type="checkbox"/>	APPROVED AS NOTED
<input type="checkbox"/>	REVISE AND RESUBMIT
SIGNATURE: _____	DATE: _____
PRINT NAME: _____	



THESE DRAWINGS ARE THE EXCLUSIVE PROPERTY OF THE MONTAGUE COMPANY. ANY UNAUTHORIZED USE OF THESE DRAWINGS WILL RESULT IN A MINIMUM \$3,500.00 FEE, PAYABLE BY OWNER OR USER TO THE MONTAGUE COMPANY.

DIMENSIONS ARE IN INCHES

TOLERANCES:

DECIMALS ± 0.020  
FRACTIONS: ± 1/32  
DEGREES: ±

UNLESS OTHERWISE SPECIFIED

**THE MONTAGUE COMPANY**  
1830 STEARMAN AVENUE HAYWARD, CA 94545

SALES DWG. - EXCALIBUR

ELEV. PLAN 2

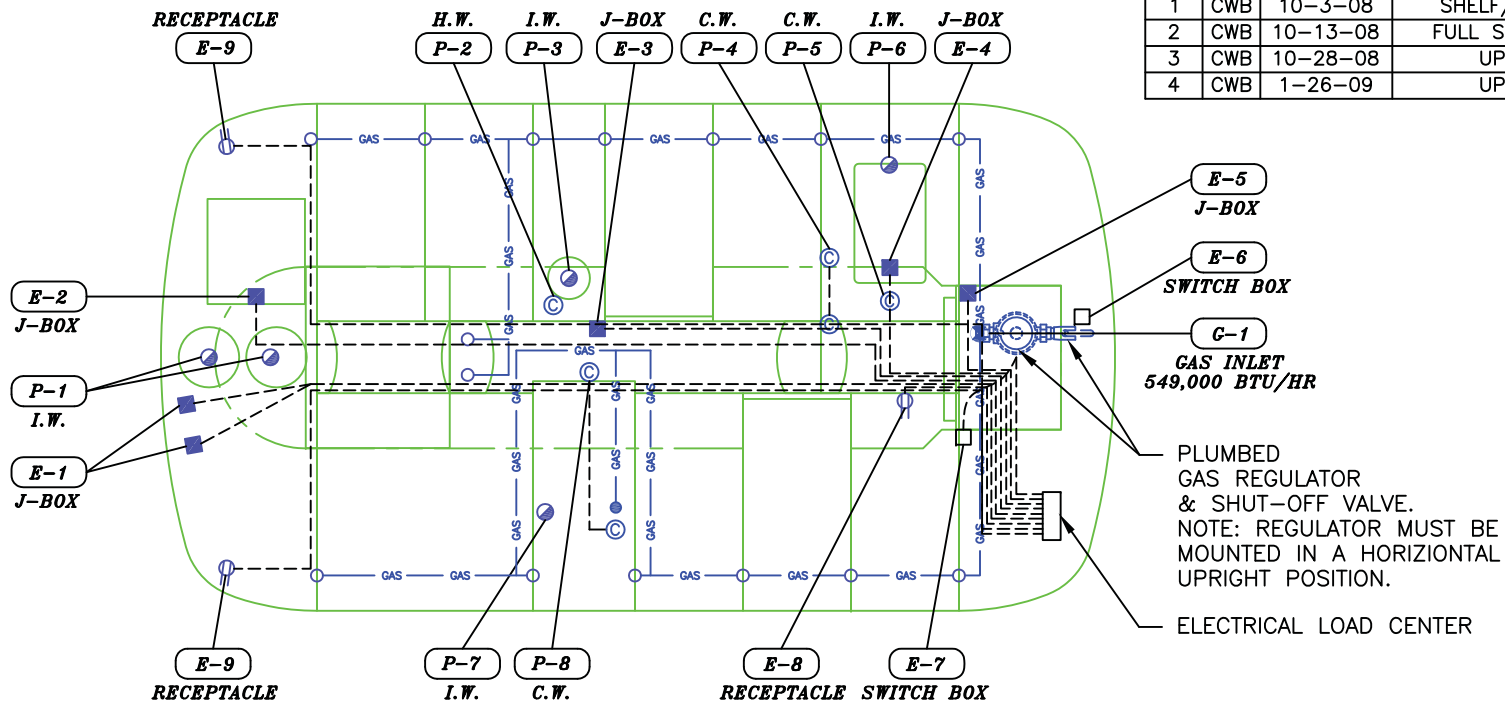
SCALE 3/8" = 1'-0" DRAWN CWB

DATE 9-30-08 APPROVED BL

SHEET 4 OF 7 DRAWING No. 45087-1 REV 4

REV	BY	DATE	DESCRIPTION
1	CWB	10-3-08	SHELF/CM24PT
2	CWB	10-13-08	FULL SET DWGS.
3	CWB	10-28-08	UPDATE
4	CWB	1-26-09	UPDATE

UTILITIES LEGEND	
	GAS INLET
	GAS LINE
	J-BOX
	RECEPTACLE
	H.W. HOT WATER
	C.W. COLD WATER
	W. DIRECT WASTE
	I.W. INDIRECT WASTE
	REFRIGERATION LINES
	AFF ABOVE FINISHED FLOOR
	DFA DROP FROM ABOVE



UTILITIES						
TAG	QTY	DESCRIPTION	GAS	WATER	DRAIN	ELECTRIC
G-1	1	ISLAND SUITE	1 1/4"			
E-1	2	HOT WELL				0.825 kW, 120/60/1, 6.9 AMPS (EACH)
E-2	1	INDUCTION UNIT				3.0 kW, 208/60/1, 14.5 AMPS, NEMA 6-20P
E-3	1	REF. BASE				120/60/1, 3.9 AMPS, NEMA 5-15P
E-4	1	BAIN MARIE HEATER				3.0 kW, 208/60/1, 14.4 AMPS
E-5	1	BROILER				2.8 kW, 208/60/1, 12.0 AMPS, NEMA 6-15P
E-6	1	HEATED CABINET				1.5 kW, 120/60/1, 12.5 AMPS
E-7	1	WARMER				0.35 kW, 120/60/1, 3.0 AMPS
E-8	1	PORTABLE FILTER				1/2 HP, 120/60/1, 8.8 AMPS, NEMA 5-15P
E-9	2	CONVENIENCE OUTLET				CIRCUITS R1, R2, R3, 120/60/1, NEMA 15-20R
P-1	2	HOT WELL			1/2"	
P-2	1	DIPPERWELL		3/8"		
P-3	1	DIPPERWELL			3/4"	
P-4	1	POT FILLER		1/2"		
P-5	1	DECK FAUCET		1/2"		
P-6	1	BAIN MARIE HEATER			3/4"	
P-7	1	PASTA COOKER			1 1/4"	
P-8	1	PASTA COOKER		1/2"		
<b>TOTAL GAS CONSUMPTION: 549,000 BTU/HR @ 6" W.C. MANIFOLD PRESSURE</b> <b>GAS SUPPLY: NATURAL @ 538 C.F.H. : 8"-14" W.C. INLET PRESSURE TO SUPPLIED REGULATOR</b> <b>TOTAL ELECTRICAL LOAD: 42.0 AMPS @ 120V 60Hz SINGLE PHASE, &amp; 40.9 AMPS @ 208V 60 Hz SINGLE PHASE</b>						

## PRODUCTION SUBMITTAL

CUSTOMER APPROVAL	
<input type="checkbox"/>	APPROVED AS SUBMITTED
<input type="checkbox"/>	APPROVED AS NOTED
<input type="checkbox"/>	REVISE AND RESUBMIT
SIGNATURE: _____	DATE: _____
PRINT NAME: _____	



THESE DRAWINGS ARE THE EXCLUSIVE PROPERTY OF THE MONTAGUE COMPANY. ANY UNAUTHORIZED USE OF THESE DRAWINGS WILL RESULT IN A MINIMUM \$3,500.00 FEE, PAYABLE BY OWNER OR USER TO THE MONTAGUE COMPANY.

DIMENSIONS ARE IN INCHES

TOLERANCES:

DECIMALS ± 0.020

FRACTIONS: ±1/32

DEGREES: ±

UNLESS OTHERWISE SPECIFIED

## THE MONTAGUE COMPANY

1830 STEARMAN AVENUE HAYWARD, CA 94545

SALES DWG. - EXCALIBUR

UTILITY PLAN

SCALE 3/8"=1'-0" DRAWN CWB

DATE 9-30-08 APPROVED BL

SHEET 5 OF 7 DRAWING No. 45087-1 REV 4