



LEGEND™

Heavy-Duty Extreme Cuisine Refrigerated Equipment Bases

Item No. _____

Project _____

Quantity _____

Extreme Cuisine



Model RB-72-R Refrigerated Base with 60" Griddle and 12" open burners shown

SHORT/BID SPECIFICATION

Counter-top equipment to be mounted to a Montague **Legend Extreme Cuisine** Refrigerated Cabinet Base Model:

- RB-___** [Specify width: 36" (914mm), 48" (1219mm), 60" (1524mm), 72" (1829mm), 84" (2134mm), 96" (2438mm) or 108" (2743mm)]
- ___ [Specify: **R** = Remote Refrigeration (condensing unit by others) or **SC** = Self Contained Refrigeration Package]

...heavy-duty low ergonomic-height low profile refrigerator designed to support heavy countertop cooking equipment with integrated transition base, stainless steel body, frame, front, sides; heavy-duty drawer system with pan supports, 2" (51mm) thick CFC-free insulation and 6" (152mm) high stainless steel height-adjustable legs standard; plus all the features listed and options/accessories checked:

REFRIGERATION PACKAGE FEATURES:

- SC Self-Contained Models:**
 - Balanced, hermetic condensing unit provided, installed at right
 - Condensate evaporator
 - Evaporator coil with T-stat
 - Solenoid + expansion valve
 - 6' (1829mm) power cord with grounded plug provided
- R Remote Models**
 - No condensing unit [by others]
 - Evaporator coil with T-stat, solenoid and expansion valve
 - Pre-piped + pre-wired
 - Refrigeration, drain line and electric connection will be stubbed out as specified: **LE** left-end, **RE** right-end, **BL** back-left, **BR** back-right

HEAVY-DUTY DRAWER SYSTEM FEATURES:

- 300 lbs (136 kg) individual drawer weight capacity
- Can accommodate up to 6" (152mm) deep, 12" x 20" (305 x 508mm) pans
- Heavy 14-gauge stainless steel track system
- Tandem 2" (51mm) diameter stainless steel wheels
- Recessed drawer handles
- Drawers are easily removed for cleaning

Self-Contained MODEL GUIDE

Model Number	Unit Width Inches (mm)	Drawers: Width & No.			Total Pans
		14-3/8" (356mm)	22-3/8" (568mm)	27-1/4" (692mm)	
RB-36-SC	36" (914)	2			2
RB-48-SC	48" (1219)			2	4
RB-60-SC	60" (1524)	2	2		5
RB-72-SC	72" (1829)		2	2	7
RB-84-SC	84" (2134)			4	8
RB-96-SC	96" (2438)		4	2	10
RB-108-SC	108" (2743)			6	12

Remote Refrigeration MODEL GUIDE

Model Number	Unit Width Inches (mm)	Drawers: Width & No.			Total Pans
		14-3/8" (356mm)	22-3/8" (568mm)	27-1/4" (692mm)	
RB-36-R	36" (914)			2	4
RB-48-R	48" (1219)	2	2		5
RB-60-R	60" (1524)		2	2	7
RB-72-R	72" (1829)			4	8
RB-84-R	84" (2134)		4	2	10
RB-96-R	96" (2438)			6	12
RB-108-R	108" (2743)		6	2	13

STANDARD BASE CONSTRUCTION:

- Low profile for ergonomic countertop equipment work height
- All welded construction
- Stainless steel front, top & sides
- Back & bottom stainless steel
- Large analog dial thermometer
- Interior liner is stainless steel with 1/4" (6mm) radius corners
- 2" (51mm) thick CFC-free polyurethane insulation
- 6" (152mm) height-adjustable stainless steel legs standard

AGENCY APPROVALS

- ETL-Sanitation listed
- ETL listed



MISC-1 [Rev. 1/12]

LEGEND™ Heavy-Duty Extreme Cuisine Refrigerated Equipment Bases

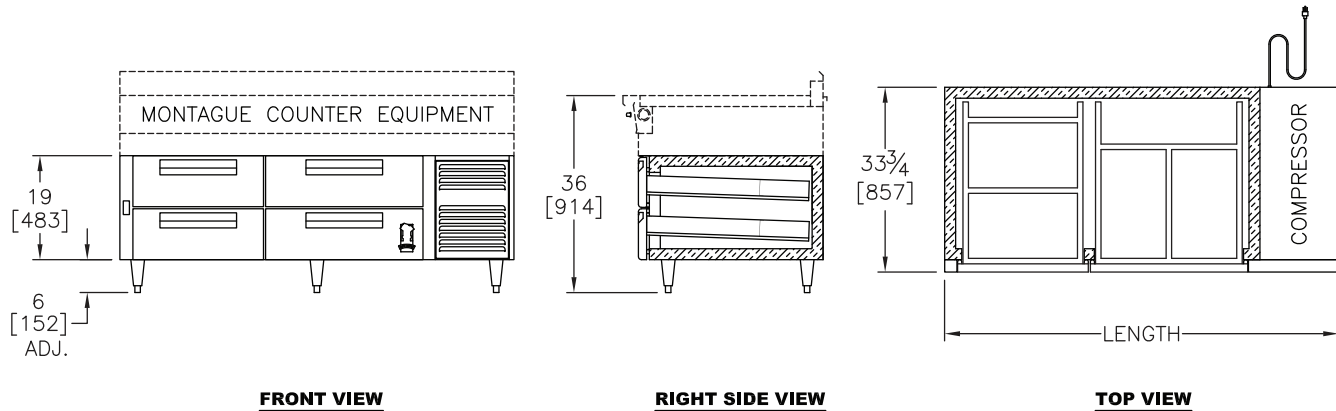
Item No. _____

Project _____

Quantity _____

Extreme Cuisine

Dimensions in brackets are millimeters



OPTIONS GUIDE:

- 6" (152mm) diameter casters [4-8 depending on width]
- Curb mounting [Consult Factory]
- Stainless steel top with marine edge

Custom Options (Consult Factory):

- Custom sizes & configurations
- Freezer Bases
- Compressor compartment on left
- Drawer padlocking

INSTALLATION REQUIREMENTS & SHIPPING INFORMATION

- Extreme Cuisine refrigerated bases are designed and sized for use with Montague Legend Heavy-Duty Countertop cooking equipment. [See Legend Countertop Specification Sheets.]
- Follow installation, ventilation and wall clearance requirements for the countertop cooking equipment mounted on the refrigerated base.

Minimum Clearances	Follow clearance of mounted equipment
From Back Wall	0"
Right Side -SC Models	6" (152mm)

Model:	Width Inches (mm)	Electrical Requirements					Shipping Weight	Shipping Class	Cube (Crated) ft3/m3
		HP*	Voltage	Phase	Amps	BTU's			
RB-36-R	36" (914)	—	115	1	1.0	800	350 lbs (159 kg)	85	13/.4
RB-48-R	48" (1219)	—	115	1	1.6	1200	400 lbs (181 kg)	85	18/.5
RB-60-R	60" (1524)	—	115	1	2.0	1600	450 lbs (204 kg)	85	23/.7
RB-72-R	72" (1829)	—	115	1	2.0	1600	500 lbs (227 kg)	85	27/.8
RB-84-R	84" (2134)	—	115	1	3.0	2400	550 lbs (249 kg)	85	32/.9
RB-96-R	96" (2438)	—	115	1	3.0	2400	600 lbs (272 kg)	85	36/1
RB-108-R	108" (2743)	—	115	1	4.0	3200	780 lbs (354 kg)	85	41/1.1
RB-36-SC	36" (914)	1/3	115	1	8.4	1000	470 lbs (213 kg)	85	13/.4
RB-48-SC	48" (1219)	1/3	115	1	8.4	800	495 lbs (225 kg)	85	18/.5
RB-60-SC	60" (1524)	1/3	115	1	8.4	1200	525 lbs (238 kg)	85	23/.7
RB-72-SC	72" (1829)	1/3	115	1	8.4	1600	550 lbs (249 kg)	85	27/.8
RB-84-SC	84" (2134)	1/3	115	1	8.4	1600	625 lbs (283 kg)	85	32/.9
RB-96-SC	96" (2438)	1/3	115	1	8.4	2400	700 lbs (317 kg)	85	36/1
RB-108-SC	108" (2743)	1/3	115	1	8.4	2400	875 lbs (397 kg)	85	41/1.1

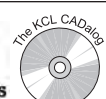
*HP = Motor Horsepower

Due to continuous product improvements, specifications are subject to change without notice.



THE MONTAGUE COMPANY

1830 Stearman Avenue, Hayward, CA 94545
 800 345-1830 · Fax: 510 785-3342
 www.montaguecompany.com



MISC-1 [Rev. 1/12]