



# LEGEND™ Heavy-Duty Electric Built-In Counter Induction Ranges

Item No. \_\_\_\_\_

Project \_\_\_\_\_

Quantity \_\_\_\_\_



MI-3.5 DI built into ceramic counter

MODEL GUIDE			
✓	Model No.	Configuration	Power
	MI-3.5 DI	Single, countertop	3.5 kW
	MI2-7.0 DI	Double, countertop	7.0 kW

#### BASE CONSTRUCTION:

- Satin finish stainless steel body
- Integrated counter design
- Durable .236" (6mm) thick, easy-clean Ceran top plate
- Internal air-cooling fan(s)
- 6' (1829mm) power cord and plug provided

#### AGENCY APPROVALS

- NSF Listed
- UL Listed to UL197 for USA and Canada

#### SHORT/BID SPECIFICATION

Counter-top induction cooktop shall be a Montague **Legend** Heavy Duty **Model** [Specify one]:

- MI-3.5 DI**, with single heat zone, 3.5 kW power input and single Power-ON/heat control and heat setting LCD display
- MI2-7.0 DI**, with two heat zones, each with 3.5 kW power input and individual Power-ON/heat controls and heat setting LCD displays

...a 16" (406mm) wide unit with a stainless steel bezel, separate remote control panel with advanced **Luxine Power™** control system; durable .236" (6mm) thick Ceran top plate, 6' (1829mm) power cord standard; plus all the features listed and accessories checked

#### PERFORMANCE FEATURES:

- 3.5 kW induction power [per heating zone]
- Electric power conversion efficiency of over 90%
- Maximizes peak power for faster heat-up
- Superior low-end temperature control for delicate heating

#### LUXINE POWER™ CONTROL:

- Detects size, shape and material of cook pan
- Automatically shuts off for unsuitable, empty or overheated pans
- Separate push buttons - ON/OFF and heat-set control
- Digital 0-100 [% power] LCD readout



HCIR-3 [Rev. 1/12]

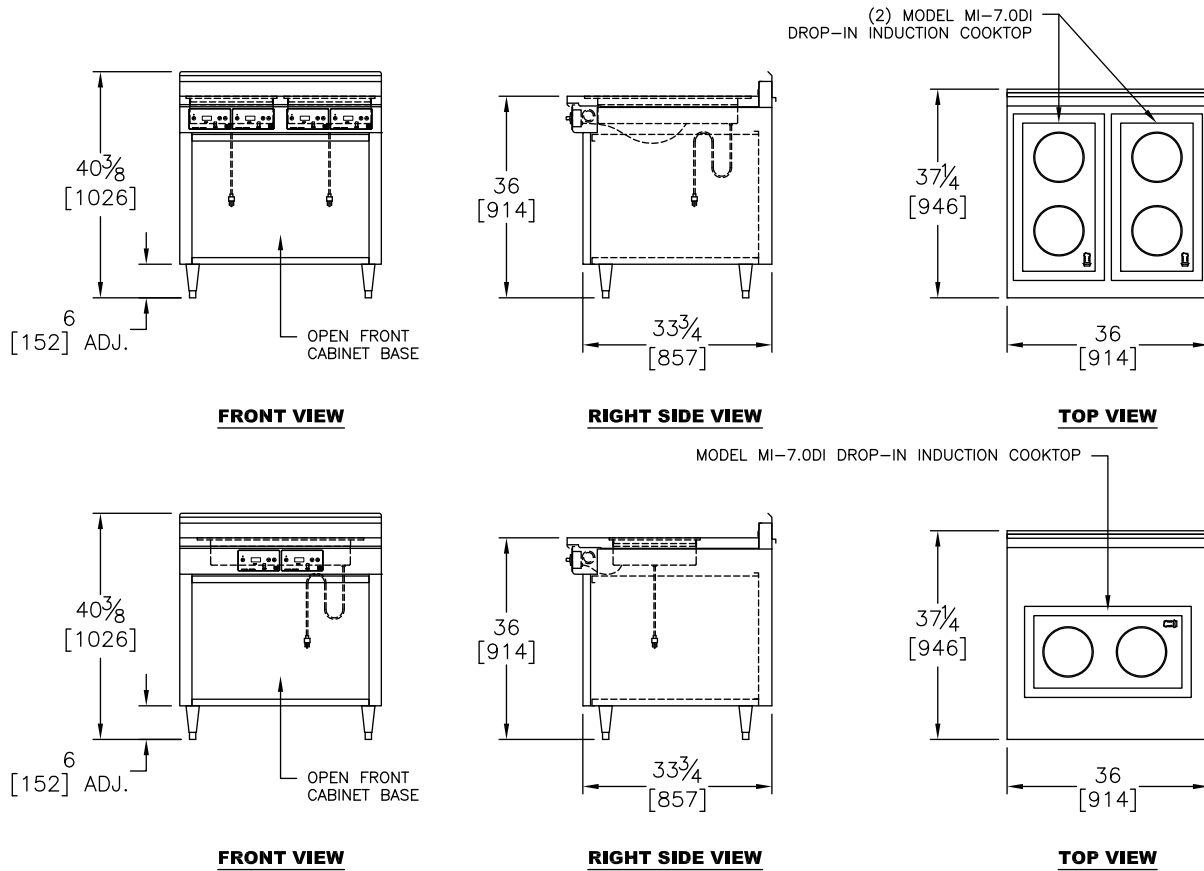
# LEGEND™ Heavy Duty Electric Built-In Counter Induction Ranges

Item No. \_\_\_\_\_

Project \_\_\_\_\_

Quantity \_\_\_\_\_

Dimensions in brackets are millimeters



## INDUCTION COOKTOP ACCESSORIES:

### General:

- \_\_\_ ea. 8-1/2" (216mm) diameter fry pan\*
- Other sizes available [Consult Factory]

\*Minimum pan diameter - 4-1/2" (114mm), Maximum pan diameter - 12" (305mm)

## INSTALLATION REQUIREMENTS & SHIPPING INFORMATION

1. Induction cooktop should be installed on a level table or counter.
2. An adequate Ventilation System is required. Refer to NFPA 96, Standard for Ventilation Control and Fire Protection of Commercial Cooking Operations.
3. Unit designed for operating in ambient air temperatures between 40-110°F (5-40°C).
4. Do not expose unit to jet spray or high pressure steam.
5. Load Capacity: Maximum weight of pan and contents is 55 lbs (25 kg).
6. Unit requires use of ferrous metal pans. [See Accessories Guide]

Minimum Clearances	
From Back Wall	4" (102mm)
Provide unobstructed access to control knob(s).	

### Electric Requirements — All Models — Per Cooktop

Model	Heat Zone	Voltage	Phase	Hz	kW Input	AMPS	NEMA Plug*
MI-3.5 DI	1	240/208	1	50/60	3.5/3.0	14.5	6-20P
MI2-7.0 DI	2	240/208	1	50/60	7.0/6.0	29	6-30P

\*NEMA 6-50P provided for Canada.

### Shipping Information:

Model	Weight	Shipping Class	Cube (Crated) ft³/m³
MI-3.5 DI	28 lbs (12.7 kg)	85	2/.05
MI2-7.0 DI	48 lbs (21.8 kg)	85	4/.1

Due to continuous product improvements, specifications are subject to change without notice.



## THE MONTAGUE COMPANY

1830 Stearman Avenue, Hayward, CA 94545  
800 345-1830 • Fax: 510 785-3342  
www.montaguecompany.com



HCIR-3 [Rev. 1/12]