



LEGEND™ Heavy-Duty 36" (914mm) Gas Range

Item No. _____

Project _____

Quantity _____

(-6) Top Series



Model 136-6

SHORT/BID SPECIFICATION:

Range shall be a Montague **Legend** Model [Specify one]:

- 136-6**, with front-vented 40,000 BTU/hr conventional oven with counterweighted door, porcelainized steel interior, three-position rack guides and one wire pan rack standard
- V136-6**, with indirect-fired 45,000 BTU/hr convection oven with counterweighted door, porcelainized steel interior, five-position rack guides and three wire pan racks standard
- 36-6**, with open front stainless steel cabinet base with two shelves;
- M36-6**, with 28" (711mm) high modular stand with stainless steel tubular legs;

...a 36" (914mm) wide heavy-duty gas-fired unit with a 12" (305mm) wide griddle with 19mm thick precision-ground cook surface, 2" (51mm) high splash, 2-5/8" (67mm) wide front grease trough with drop to grease receptacle and one 15,000 BTU/hr burner; plus two 12" (305mm) heavy-duty cast iron, precision-ground open top grate, over two 30,000 BTU/hr lift off star burners, provided with individual burner controls and automatic standing pilots; with stainless steel front and exterior bottom, black painted sides and back, 4" (102mm) high flue riser and 3" (76mm) deep front rail standard; plus all the features listed and options/accessories checked:

RANGE TOP FEATURES:

One 12" wide x 28" deep (305 x 711mm) griddle, positioned left, with:

- 3/4" (19mm) thick precision-ground steel cook surface
- 2" (51mm) high backsplash and tapered side-splashes
- 2-5/8" (67mm) wide grease trough pitched to grease receptacle
- Built-in 2-1/8" (54mm) hanging grease receptacle
- One 15,000 BTU/hr gas burner with standing pilot & gas control valve
- Adjusting bolts for changing griddle forward pitch

MODEL GUIDE			
Model No.	Base Style/Type	-6 Range Top	
136-6	With Standard Oven		
V136-6	With Convection Oven		
36-6	With Cabinet Base		
M36-6	With Modular Stand		

Two 12" wide x 31" deep (305 x 787mm) open burner tops, positioned right, with:

- Heavily ribbed cast iron, surface-ground top grates
- Four large diameter 30,000 BTU/hr lift off gas star burners with raised ports
- Automatic, standing pilots
- Drip pan positioned under open burners

STANDARD (136-6 MODEL) OVEN FEATURES:

- 26" wide x 28" deep x 15" high (660 x 711 x 381mm) cooking compartment
- Accepts 18" x 26" (457 x 660mm) pans sideways or lengthwise
- Front-venting oven design for more even cooking
- Heavy-duty counterweighted oven door — no springs
- Three -position adjustable nickel-plated rack supports, with one rack standard
- Interior panels and door porcelain lined for long life & easy cleaning
- Low-to-500°F (260°C) thermostat mounted in insulated cool zone
- 40,000 BTU/hr cast iron burner with automatic ignition safety pilot

CONVECTION (V136-6 MODEL) OVEN FEATURES:

- 26" wide x 22-1/4" deep x 15" high (660 x 565 x 381mm) cooking compartment
- Muffled, indirect-fired design with blower, for fast-even cooking
- Heavy-duty counterweighted oven door — no springs
- Five-position adjustable nickel-plated rack supports, with three racks standard
- Interior panels and door porcelain lined for long life & easy cleaning
- Low-to-500°F (260°C) thermostat mounted in insulated cool zone
- 45,000 BTU/hr cast iron burner with automatic ignition safety pilot
- 6' (1829mm) cord with 3-prong plug (grounding NEMA 5-15P)

STANDARD CONSTRUCTION FEATURES:

- Satin finish stainless steel front and exterior bottom with 3" (76mm) deep front rail
- Other surfaces painted black with electrolytic zinc undercoating
- Stainless steel 4" (102mm) rear flue riser standard
- 6" (152mm) adjustable stainless steel legs standard (Except M36-6 Model)
- 28" (711mm) stainless steel tubular legs standard with M36-6 Model
- Cabinet base with sides, back panel and two shelves on 36-6 Model
- 1-1/4" NPT front gas manifold with 1/2 union on each end

AGENCY APPROVALS:

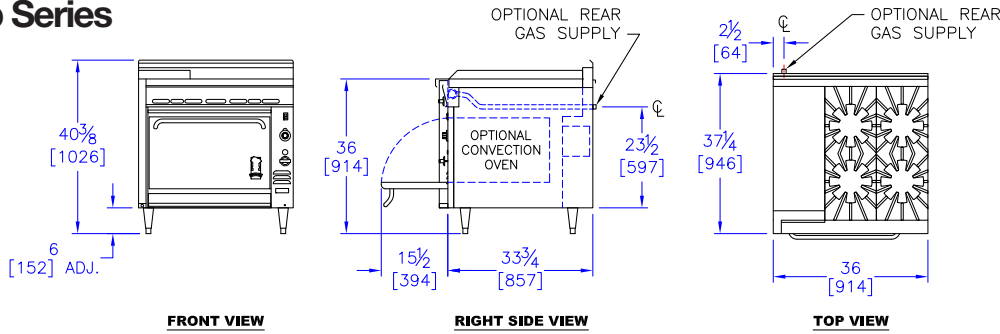
- NSF Listed
- ETL Design Certified to ANSI Z83.11 • CSA 1.8
- CE Approved • EN 203-1



HDS-19 [Rev. 1/12]

LEGEND™ Heavy-Duty 36" (914mm) Gas Range

(-6) Top Series



OPTIONS GUIDE:

Open Burner Top Sections:

- Front 30,000 BTU/hr lift off star burner with a rear 15,000 BTU/hr solid hot top [-59], positioned:
- Right Center Right & Center
- Cast Iron Ribbon Grate, (for use with 20,000 BTU/hr burners only) positioned:
- Right (1) Center (1) Right & Center (2)
- 20,000 BTU/hr star burner, positioned:
- Right (2) Center (2) Right & Center (4)
 - 42" (1067mm) range depth [Add Suffix: -40]
 - 304 stainless steel burner box assembly

- Controls:** *Options include 304 stainless steel burner assembly with lift out burner pans (for open tops only) [see Heavy Duty option page HDS-46]
- *Electronic rangetop pilot ignition; electronic oven control (V136 & 136 ovens only)
 - *Flame failure rangetop safety valves
 - *Electronic rangetop pilot ignition & flame failure rangetop safety valves; electronic oven control (V136 & 136 ovens only)

Back Panels/Shelves:

- 18" (457mm) high back
- Single high shelf
- Double high shelf
- 6" (152mm) wide stainless steel plate shelf
- 8" (203mm) wide stainless steel plate shelf

Electrical (V136):

- 120 V, 1-phase, 60 Hz, 3.4 A (standard, with 6' (1.8m) NEMA 5-15P power cord)
- 208-240 V, 1-phase, 60 Hz, 1.7 A

12" Griddle/Fry Top:

- 450°F [232°C] Thermostatic Control [-T Suffix]
- 1" (25mm) thick griddle plate
- 1" (25mm) thick grooved griddle plate
- 34" (864mm) range depth [Add Suffix -40]

Oven:

- Cast iron oven bottom
- Extra oven racks: ____ ea.
- 650°F (343°C) finishing oven with cast iron oven bottom-*includes cast iron oven bottom option* [see Heavy Duty option page HDS-46]

Manifolds: [Left rear with pressure regulator]:

- 1" NPT up to 400,000 BTU/hr
- Manifold Cap:** left side right side
- Stainless Manifold Cover:**
 - left side right side
- Finish:**
 - Stainless steel left side panel
 - Stainless steel right side panel
 - Stainless steel back panel
 - Stainless steel shelves and sides [36-6 Cabinet Model]

General:

- Casters — set of four 5" (127mm) casters
- Flanged feet with holes
- Flex Connector Kit** [1"/25 mm]:
 - 3' (914mm) 4' (1219mm)
- Security Options/Prison Package** [Consult Factory]
- International Approvals:**
 - CE - Conformance Européenne - EN203-1 Includes flame failure valve option
 - Canadian Approval

INSTALLATION REQUIREMENTS & SHIPPING INFORMATION

- Ovens & ranges must be installed in accordance with local codes or in their absence with the National Fuel Gas Code: ANSI Z223.1; Natural Fuel Gas Code: CAN/CGA-B149.1 or Propane Installation Code: CAN/CGA-B149.2, as applicable. Compliance with codes is the responsibility of the Owner and Installer.
- An adequate ventilation system is required. Refer to National Fire Protection Association Standard No. 96, "Vapor Removal from Cooking Equipment."
- This appliance is intended for commercial use by professionally trained personnel. NOT intended for Residential Use.
- Specify installation elevation: _____ if above 2,000 ft (610m).
- GAS INLET SIZE (All Models):** 1-1/4 NPT front manifold with 1/2 union on each end provided for battery connection. A properly sized gas pressure regulator must be furnished by the Installer.
- The incoming gas line pressure into the regulator should be 8"-14" w.c. for natural gas, and 12"-14" w.c. for propane gas.

Minimum Clearances	Combustible Construction	Noncombustible Construction
From Back Wall*	2" (51mm)	0mm
Left & Right Side**	15" (381mm)	0mm
With 6" (152mm) legs	Suitable for installation on combustible floors	
*V136 Models require 2" (51 mm) for motor clearance at rear		

Specify Type of Gas:		<input type="checkbox"/> Natural	<input type="checkbox"/> Propane	Electrical	Shipping Weight	Shipping Class	Cube (Crated) ft ³ /m ³
Gas Delivery Pressure:		6.0" WC	10.0" WC	120V			
Models:	Burners	BTU/hr* (kW)	BTU/hr* (kW)	Amperage			
136-6	6	175,000 (51.3)	175,000 (51.3)	---	594 lbs (269 kg)	85	32/.9
V136-6	6	180,000 (52.8)	180,000 (52.8)	3.4	620 lbs (281 kg)	85	32/.9
36-6	5	135,000 (39.6)	135,000 (39.6)	---	420 lbs (190 kg)	85	27/.75
M36-6	5	135,000 (39.6)	135,000 (39.6)	---	350 lbs (159 kg)	85	18/.5

*For thermostatically controlled griddle add 5,000 BTU/hr (*1.5kW)

Entry Clearance: 30" (762mm) uncrated, with legs removed [All Models]

Due to continuous product improvements, specifications are subject to change without notice.



THE MONTAGUE COMPANY
 1830 Stearman Avenue, Hayward, CA 94545
 800 345-1830 • Fax: 510 785-3342
 www.montaguecompany.com

