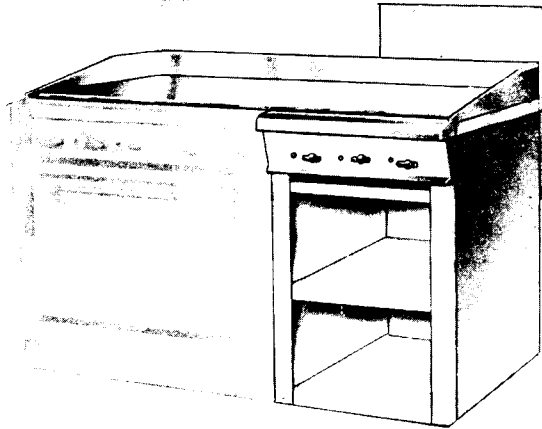


# Montague Add-A-Units 24" wide.



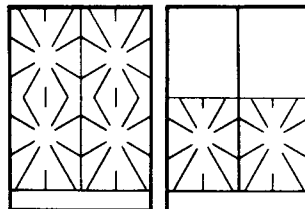
MODEL 24-8 W/EXTRA WIDE FRY TOP

## Specifications: Series 24 Add-A-Units

**General Information:** Montague Add-A-Units are offered in a wide variety of widths and tops to fill in or fill out your full Montague Cooking Battery. These units match all Montague Heavy-Duty Ranges, Ovens, Range/Oven Combinations and other equipment. Wide choice of finishes and accessories.

**Series 24-5:** Four Open Burner Unit shall be 24" wide, with two 12" W. x 31 $\frac{1}{8}$ " D. heavily ribbed grates. Burners shall be Star type with raised ports. Automatic constant burning pilots. To be provided with drip pan.

- Model 24-5 with cabinet base; bottom and intermediate shelf.
- Model C24-5 Counter Model.
- Model 24-59 with two 12" Dash 59 tops to be supplied in lieu of open grate.

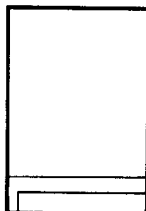


MODEL 24-5

MODEL 24-59

**Series 24-8:** Fry Top Unit shall be 24" wide, with 24" W. x 28" D. x  $\frac{3}{4}$ " thick steel fry top. Shall have 4" splash welded along back and sides and adjusting bolts to control pitch. Automatic constant burning pilots.

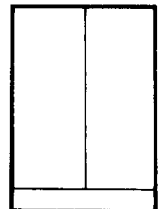
- Model 24-8 with cabinet base; bottom and intermediate shelf.
- Model C24-8 Counter Model.



MODEL 24-8

**Series 24-9:** Hot Top Unit shall be 24" wide with two 12" W. x 31 $\frac{1}{8}$ " D. solid hot tops. Heavy heat conduction studs shall cover bottom of hot top. Shall have automatic constant burning pilots.

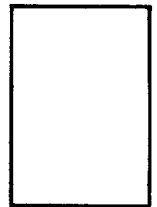
- Front Fired.     Even Heat.
- Model 24-9 with cabinet base; bottom and intermediate shelf.
- Model 24-9E with cabinet base; bottom and intermediate shelf.
- Model C24-9 Counter Model.
- Model C24-9E Counter Model.



MODEL 24-9

**Series 24-S:** Solid Top Unit shall be 24" wide. Shall have stainless steel work top in lieu of cooking top.

- Model 24-S with cabinet base; bottom and intermediate shelf.
- Model C24-S Counter Model.



MODEL 24-S

The Montague Company, 1830 Stearman Avenue,  
Hayward, California 94545 • Telephone 415-785-8822



# Montague Add-A-Units 24" wide

## Specifications:

The following data apply to all models.

### Accessories:

- 18" High Back
  - Gray       Black       S/S Front
- Single High Shelf
  - Gray       Black       S/S Front
- Double High Shelf
  - Gray       Black       S/S Front
- Door for Cabinet Base
  - Gray       Black       S/S Front
- Adjustable legs:  4" High       6" High
- Modular Stand for counter model 24" Wide
- Casters—3½" dia. wheels
- 1" Thick Steel Fry Top
- Rear Manifold
- Thermostat for Fry Top

42" Depth: Add—40 to Model Number and 6" to overall depth of unit.

### BTU/Hour:

- 24-5 —80,000
- 24-59 —70,000
- 24-8 —45,000
- 24-9 —37,000
- 24-9EH—40,000

- Natural Gas       L-P Gas

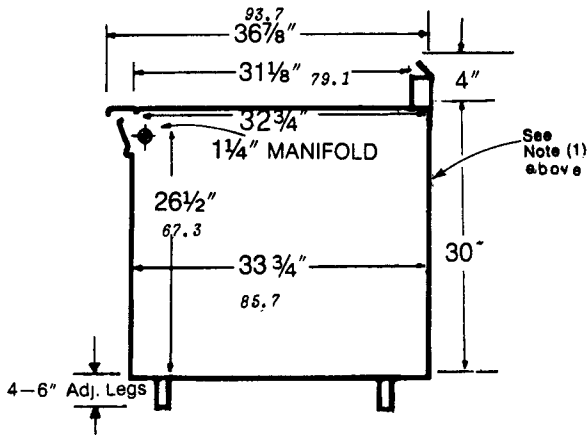
Shipping Weight: See Price List.

### Notes:

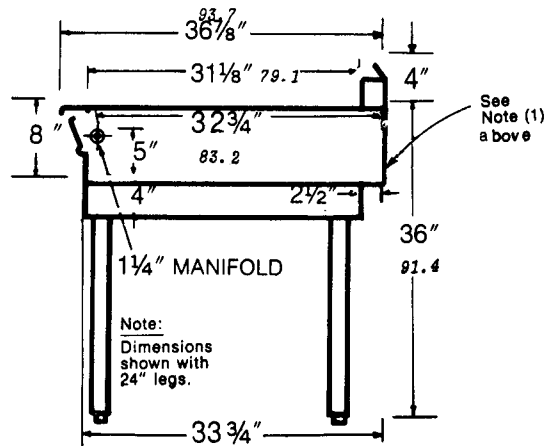
(1) For 42" depth, dimension of range body remains the same. Add 6" to Flue Box.

(2) On 42" depth and thermostatically controlled fry tops add 15,000 BTU

Design improvements may affect change to specifications without notice.



SIDE VIEW—ALL CABINET MODELS



SIDE VIEW—ALL COUNTER MODELS  
(MODULAR STAND—EXTRA)

Black Numbers Centimeters

