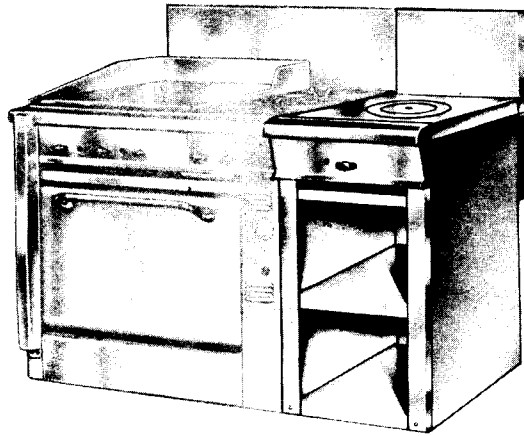


# Montague Add-A-Units 18" wide



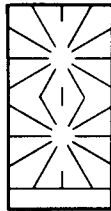
MODEL 18-9A WITH RING AND COVER HOT TOP UNIT

## Specifications: Series 18 Add-A-Units

**General Information:** Montague Add-A-Units are offered in a wide variety of widths and tops to fill in or fill out your full Montague Cooking Battery. These units match all Montague Heavy-Duty Ranges, Ovens, Range/Oven Combinations and other equipment. Wide choice of finishes and accessories.

**Series 18-5A: Two Open Burner Unit** shall be 18" wide, with 18" W. x 31 1/8" D. heavily ribbed grate. Burners shall be Star type with raised ports. Automatic constant burning pilots. To be provided with drip pan.

- Model 18-5A with cabinet base; bottom and intermediate shelf.
- Model C18-5A Counter Model.



MODEL 18-5

**Series 18-8: Fry Top Unit** shall be 18" wide, with 18" W. x 28" D. x 3/4" thick steel fry top. Shall have 4" splash welded along back and 2 sides and adjusting bolts to control pitch. Automatic constant burning pilots.

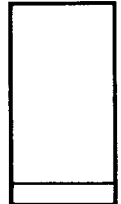
- Model 18-8 with cabinet base; bottom and intermediate shelf.
- Model C18-8 Counter Model.



MODEL 18-8

**Series 18-9ASE: Hot Top Unit** shall be 18" wide, with 18" W. x 31-1/8" D. solid hot top. Heavy heat conduction studs shall cover bottom of hot top. Shall have automatic constant burning pilots. Even heat with two burners per hot top rated @ 20,000 BTU/Hr. each.

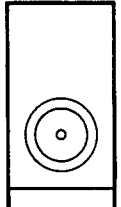
- Model 18-9ASE with cabinet base; bottom and intermediate shelf.
- Model C18-9ASE Counter Model.



MODEL 18-9ASE

**Series 18-9A: Ring and Cover Hot Top Unit** shall be 18" wide, with Ring and Cover plate 18" W. x 31 1/8" D. Heavy heat conduction studs shall cover bottom of plate. Shall have fire brick in burner box. Automatic constant burning pilots.

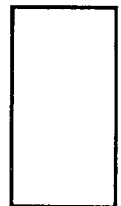
- Model 18-9A with cabinet base; bottom and intermediate shelf.
- Model C18-9A Counter Model.



MODEL 18-9A

**Series 18-S: Solid Top Unit** shall be 18" wide. Shall have stainless steel work top in lieu of cooking top.

- Model 18-S with cabinet base; bottom and intermediate shelf.
- Model C18-S Counter Model.



MODEL 18-S

The Montague Company, 1830 Stearman Avenue,  
Hayward, California 94545 • Telephone 415-785-8822



# Montague Add-A-Units 18" wide

## Specifications:

The following data apply to all models.

### Accessories:

- 18" High Back
  - Gray       Black       S/S Front
- Single High Shelf
  - Gray       Black       S/S Front
- Double High Shelf
  - Gray       Black       S/S Front
- Door for Cabinet Base
  - Gray       Black       S/S Front
- Adjustable legs:     4" High       6" High
- Modular Stand for counter model 18" Wide
- Casters—3½" dia. wheels
- 1" Thick Steel Fry Top
- Rear Manifold
- Thermostat for Fry Top

42" Depth: Add—40 to Model Number and 6" to overall depth of unit.

### BTU/Hour:

- 18-5A —40,000
- 18-8 —30,000
- 18-9A —35,000
- 18-9ASE —40,000

- Natural Gas       L-P Gas

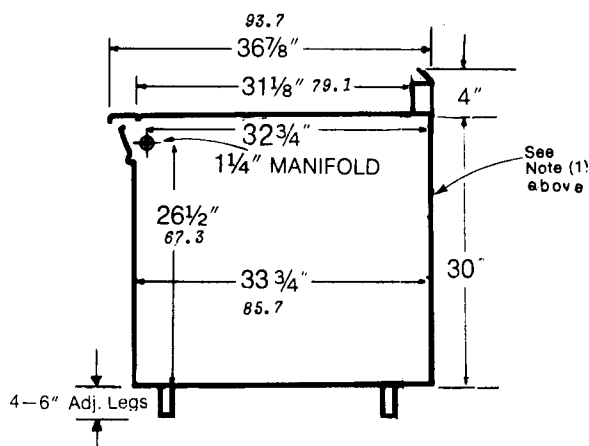
Shipping Weight: See Price List.

### Notes:

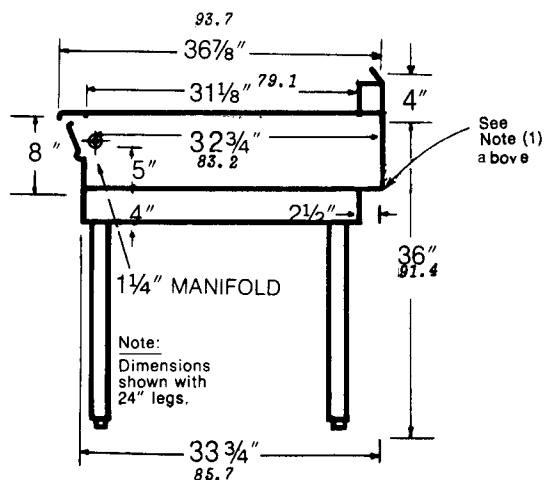
(1) For 42" depth, dimension of range body remains the same. Add 6" to Flue Box.

(2) On 42" depth and thermostatically controlled fry tops add 10,000 BTU.

Design improvements may affect change to specifications without notice.



SIDE VIEW—ALL CABINET MODELS



SIDE VIEW—ALL COUNTER MODELS  
(MODULAR STAND—EXTRA)

