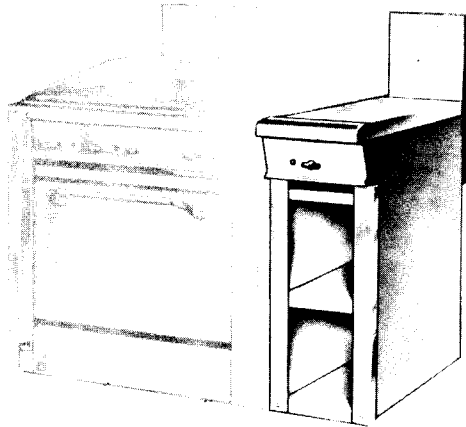


Montague Add-A-Units 12" wide.



MODEL 12-9 WITH 12" WIDE HOT TOP

Specifications:
Series 12 Add-A-Units

General Information: Montague Add-A-Units are offered in a wide variety of widths and tops to fill in or fill out your full Montague Cooking Battery. These units match all Montague Heavy-Duty Ranges, Ovens, Range/Oven Combinations and other equipment. Wide choice of finishes and accessories. For specifications applicable to all units see Page 34.

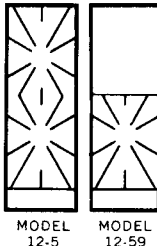
Series 12-9: Hot Top Unit shall be 12" wide, with 12" W. x 31 $\frac{1}{8}$ " D. solid hot top. Heavy Heat conduction studs shall cover bottom of hot top. Shall have automatic constant burning pilot.

- Shall be Front Fired. Even Heat.
- Model 12-9 with cabinet base; bottom and intermediate shelf.
 - Model 12-9EH with cabinet base; bottom and intermediate shelf.
 - Model C12-9—Counter Model.
 - Model C12-9EH Counter Model.



Series 12-5: Two Open Burrfer Unit shall be 12" wide with 12" W. x 31 $\frac{1}{8}$ " D. heavily ribbed grate. Burners shall be Star type with raised ports. Automatic constant burning pilots. To be provided with drip pan.

- Model 12-5 with cabinet base; bottom and intermediate shelf.
- Model C12-5 Counter Model.
- Model 12-59, with Dash 59 Top to be supplied in lieu of open grate.



Series 12-S: Solid Top Unit shall be 12" wide. Shall have Stainless Steel Work Top in lieu of cooking top.

- Model 12-S with cabinet base; bottom and intermediate shelf.
- Model C12-S Counter top unit.



Series 12-8: Fry Top Unit shall be 12" wide, with 12" W. x 28" D. x $\frac{3}{4}$ " thick steel fry top. Shall have 4" splash welded along back and 2 sides and adjusting bolts to control pitch. Automatic constant burning pilot.

- Model 12-8 with cabinet base; bottom and intermediate shelf.
- Model C12-8 Counter Model.



Montague Add-A-Units 12" wide

Specifications:

The following data apply to all models.

Accessories:

- 18" High Back
 - Gray Black S/S Front
- Single High Shelf
 - Gray Black S/S Front
- Double High Shelf
 - Gray Black S/S Front
- Door for Cabinet Base
 - Gray Black S/S Front
- Adjustable legs: 4" High 6" High
- Modular Stand for counter model 12" Wide
- Casters—3½" dia. wheels
- 1" Thick Steel Fry Top
- Rear Manifold
- Thermostat for Fry Top

42" Depth: Add—40 to Model Number and 6" to overall depth of unit.

BTU/Hour:

- 12-5 —40,000
- 12-59 —35,000
- 12-8 —15,000
- 12-9 —18,500
- 12-9EH—20,000

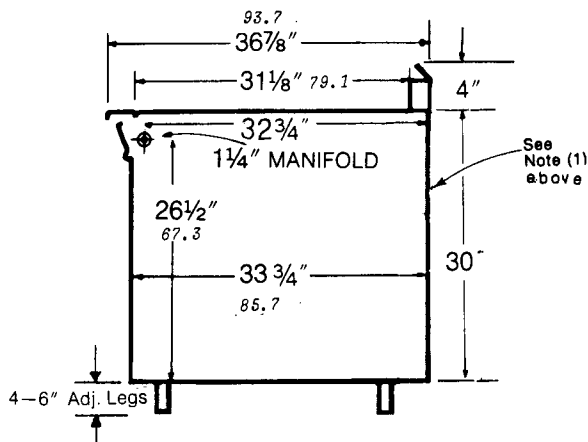
- Natural Gas L-P Gas

Shipping Weight: See Price List.

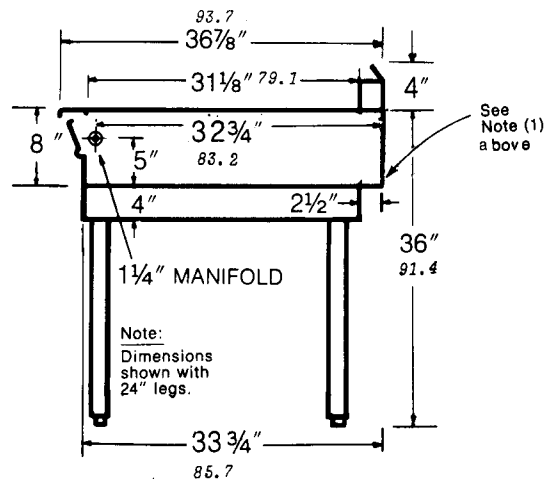
Notes:

- (1) For 42" depth, dimension of range body remains the same. Add 6" to Flue Box.
- (2) On 42" depth and thermostatically controlled fry tops add 5,000 BTU.

Design improvements may affect change to specifications without notice.



SIDE VIEW—ALL CABINET MODELS



SIDE VIEW—ALL COUNTER MODELS
(MODULAR STAND—EXTRA)