

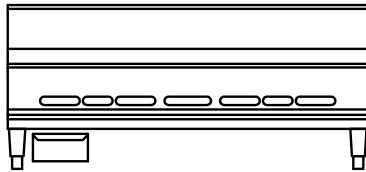


# LEGEND™ Heavy-Duty Gas 48-72" (1219-1829mm) Counter-Top Griddles

Item No. \_\_\_\_\_

Project \_\_\_\_\_

Quantity \_\_\_\_\_



Model 2/C24-8 shown

MODEL GUIDE*				
✓	Model No.	Overall Width	Controls	
			Type	Number
	2/C24-8T	48" (1219mm)	Thermostat	2
	2/C24-8	48" (1219mm)	Manual	6
	2/C36-8T/C18-8T	54" (1372mm)	Thermostat	3
	2/C36-8/C18-8	54" (1372mm)	Manual	6
	2/C36-8T/C24-8T	60" (1524mm)	Thermostat	3
	2/C36-8/C24-8	60" (1524mm)	Manual	7
	2/C36-8T	72" (1829mm)	Thermostat	4
	2/C36-8	72" (1829mm)	Manual	8

\*For narrower models see specification sheet HCG-4A

## SHORT/BID SPECIFICATION

Counter-top Griddle shall be a Montague **Legend Model:** \_\_\_\_ [Specify: 2/C24 = 48" (1219mm), 2/C36/C18 = 54" (1372mm) C36/C24 = 60" (1524mm) or 2/C36 = 72" (1829mm) wide] -8 [for Manual Control(s)] or -8T [for Thermostat Control(s)], unit with a 3/4" (19mm) thick precision ground cook surface, 4" (102mm) high rear splash and tapered side splashes, 2-5/8" (67mm) wide front grease trough with drop to grease drawer and 15,000 BTU/hr or 20,000 BTU/hr -T Models) burner(s); with stainless steel front, 4" (102mm) high flue riser, 3" (76mm) deep front rail and 4" (102mm) legs standard; plus all the features listed and options/accessories checked:

## STANDARD GRIDDLE FEATURES:

- 3/4" (19mm) thick precision-ground steel cook surface
- 4" (102mm) high backsplash and tapered side-splashes
- 2-5/8" (67mm) wide front grease trough pitched to the grease drop
- Bottom-mounted, slide-out 1-gallon capacity grease drawer
- Two grease drawers provided on 48" (1219mm), 54" (1372mm), 60" (1524mm) & 72" (1829mm) wide models
- Standard 15,000 BTU/hr gas burners with standing pilots & gas control valves
- 20,000 BTU/hr gas burners [-T Models] with thermostat controls
- Adjusting bolts for changing griddle plate forward pitch
- Standard has 28" deep frytop

## STANDARD BASE CONSTRUCTION:

- Satin finish stainless steel front with 3" (76mm) deep front rail
- Stainless steel exterior bottom
- Stainless steel 4" (102mm) rear flue riser
- 4" (102mm) adjustable nickel finish legs
- 1-1/4" front gas manifold with 1/2 union on each end

## AGENCY APPROVALS

- NSF Listed
- ETL Design Certified to ANSI Z83.11 • CSA 1.8
- CE Approved • EN 203-1



HDCS-10 [Rev. 1/12]

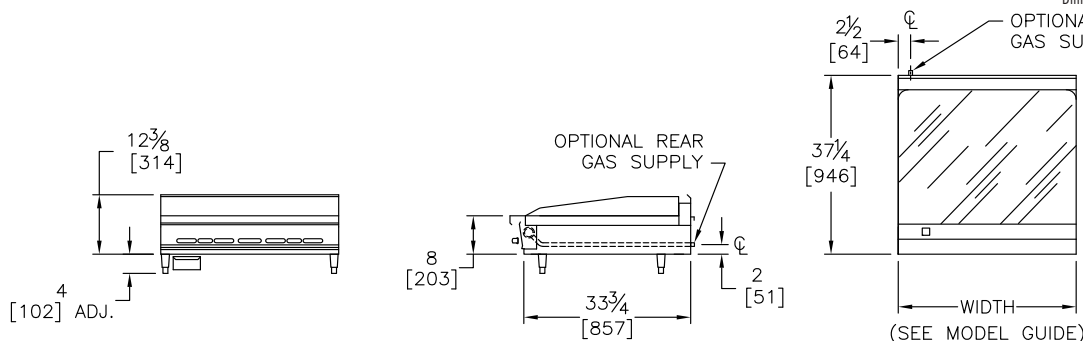
# LEGEND™ Heavy-Duty Gas 48-72" (1219-1829mm) Counter-Top Griddles

Item No. \_\_\_\_\_

Project \_\_\_\_\_

Quantity \_\_\_\_\_

Dimensions in brackets are millimeters



FRONT VIEW

RIGHT SIDE VIEW

TOP VIEW

## OPTIONS GUIDE:

### General:

- 42" (1067mm) Griddle Depth [Add Suffix -40]
- 4" (102mm) special base w/ grease drawer [M Prefix]
- Equipment Stand [Consult Factory]

### Flex Connector Kit [1" NPT:

- 3' (914mm)  4' (1219mm)

### Panels/Risers/Shelves:

- Stainless steel back panel
- 18" (457mm) high riser
- 6" (152mm) wide stainless steel plate shelf
- 8" plate shelf

### For Griddle/Fry Top:

- 1" (25mm) thick griddle plate
- 1" (25mm) thick grooved griddle plate

- 1" (25mm) Chrome plate [thermostats required]
- 34" (864mm) deep plate [Add Suffix -40]  
Standard depth 28" (711mm)
- Thermostatically controlled [Add Suffix -T]
- 450° and 550° thermostat options

### Manifolds:

[Specify left or right rear with pressure regulator]:

- 1" NPT up to 400,000 BTU/hr

### Manifold Cap:

- left side  right side

### Stainless Manifold Cover:

- left side  right side

### Finish:

- Stainless steel back panel
- Stainless steel side panels:

- left side  right side

### Special Finish

[Consult Factory]

### Controls: [see Heavy Duty option page HDS-44]

- Electronic rangetop pilot ignition
- Flame failure rangetop safety valves
- Electronic rangetop pilot ignition & flame failure rangetop safety valves

### International Approvals:

- CE - Conformance Européenne - EN203-1  
*Includes flame failure valve option*
- AGA - Australian Gas Association - AS 4563  
*Includes flame failure valve option*
- Canadian Approval

## INSTALLATION REQUIREMENTS & SHIPPING INFORMATION

- Griddle must be installed in accordance with local codes or in their absence with the National Fuel Gas Code: ANSI Z223.1; Natural Fuel Gas Code: CAN/CGA-B149.1 or Propane Installation Code: CAN/CGA-B149.2, as applicable. Compliance with codes is the responsibility of the Owner and Installer.
- An adequate ventilation system is required. Refer to National Fire Protection Association Standard No. 96, "Vapor Removal from Cooking Equipment."
- This appliance is intended for commercial use by professionally trained personnel. NOT intended for Residential Use.
- Specify installation elevation: \_\_\_\_\_ if above 2,000 ft (610m).
- GAS INLET SIZE (All Models): 1-1/4 (32mm) front manifold with 1/2 union on each end provided for battery connection. A properly sized gas pressure regulator must be furnished by the Installer.
- The incoming gas line pressure into the regulator should be 8"-14" w.c. for natural gas, and 12"-14" w.c. for propane gas.

Minimum Clearances	Combustible Construction	Noncombustible Construction
From Back Wall	2" (51mm)	0"
Left & Right Side	6" (152mm)	0"
With or without 4" (102mm) legs	Suitable for installation on non-combustible counters ONLY	

Specify Type of Gas:		<input type="checkbox"/> Natural	<input type="checkbox"/> Propane	Shipping Weight	Shipping Class	Cube (Crated) ft <sup>3</sup> /m <sup>3</sup>
Manifold Pressure:		6.0" WC	10.0" WC			
Models:	Burners	BTU/hr (kW)	BTU/hr (kW)			
2/C24-8T	6	120,000 (35.2)	120,000 (35.2)	620 lbs (281 kg)	85	18/.5
2/C24-8	6	90,000 (26.4)	90,000 (26.4)	620 lbs (281 kg)	85	18/.5
2/C36-8T/C18-8T	6	120,000 (35.2)	120,000 (35.2)	672 lbs (305 kg)	85	21/.6
2/C36-8/C18-8	6	90,000 (26.4)	90,000 (26.4)	672 lbs (305 kg)	85	21/.6
2/C36-8T/C24-8T	7	140,000 (41)	140,000 (41)	742 lbs (336 kg)	85	23/.64
2/C36-8/C24-8	7	105,000 (30.8)	105,000 (30.8)	742 lbs (336 kg)	85	23/.64
2/C36-8T	8	160,000 (46.9)	160,000 (46.9)	864 lbs (392 kg)	85	28/.8
2/C36-8	8	120,000 (35.2)	120,000 (35.2)	864 lbs (392 kg)	85	28/.8

Due to continuous product improvements, specifications are subject to change without notice.



## THE MONTAGUE COMPANY

1830 Stearman Avenue, Hayward, CA 94545  
800 345-1830 • Fax: 510 785-3342  
www.montaguecompany.com

