



# LEGEND™ Heavy-Duty Gas 36" (914mm) Counter-Top Hot-Top Models

Item No. \_\_\_\_\_

Project \_\_\_\_\_

Quantity \_\_\_\_\_



Model C36-9A shown

## SHORT/BID SPECIFICATION

Counter-Top unit shall be a Montague **Legend** Heavy Duty Hot-Top Model: **C36\_\_** plus suffix:

- 9E** for three 12" wide x 31" (305 x 787mm) deep Hot Tops, with cast iron precision ground plate and individual EVEN HEAT 20,000 BTU/hr burners; or
- 9G** for three 12" wide x 31" (305 x 787mm) deep Hot Tops, with cast iron precision ground plate and individual GRADIENT HEAT 18,500 BTU/hr burners; or
- 9A** for two 18" wide x 31" (457 x 787mm) deep French Tops with individual 35,000 BTU/hr burners with ring and cover in front of cast iron plate; or
- 9ASE** for two 18" wide x 31" (457 x 787mm) deep Hot Tops, with cast iron precision ground plate and two individual EVEN HEAT 20,000 BTU/hr burners; or
- 15** for one 18" wide x 31" (457 x 787mm) deep Hot Top positioned left, with cast iron precision ground plate and individual EVEN HEAT 20,000 BTU/hr burners, and one 18" (457mm) wide French Top with individual 35,000 BTU/hr burner with ring and cover in front of cast iron plate - positioned right; or
- 16** for one 18" wide x 31" (457 x 787mm) deep Hot Top positioned right, with cast iron precision ground plate and two individual EVEN HEAT 20,000 BTU/hr burners, and one 18" (457mm) wide French Top with individual 35,000 BTU/hr burner with ring and cover in front of cast iron plate — positioned left;

...mounted on a 36" (914mm) wide heavy duty base with stainless steel front, 4" (102mm) high flue riser, 3" (76mm) deep front rail and 4" (102mm) legs standard; plus all the features listed and options/accessories checked:

## EVEN HEAT HOT TOP FEATURES:

12" or 18" wide x 31" deep (305 or 457 x 787mm) Even Heat hot top(s) with:

- Heavy cast iron precision ground plate
- EVEN HEAT 20,000 BTU/hr burner
- Heat transfer studs cast in plate bottoms

MODEL GUIDE				
✓	Model No.	Top Sections/Configuration		
		Overall Width	EVEN HEAT	French-Top
	C36-9E	36" (305mm)	Three 12" wide	
	C36-9G	36" (305mm)	Three 12" wide	
	C36-9A	36" (305mm)		Two 18" wide
	C36-9ASE	36" (305mm)	Two 18" wide	
	C36-15	36" (305mm)	One 18" wide-left	One 18" wide-right
	C36-16	36" (305mm)	One 18" wide-right	One 18" wide-left

- 2" (51mm) side and front flanges isolate heat under plate

## GRADIENT HEAT HOT TOP FEATURES:

12" or 18" wide x 31" deep (305 or 457 x 787mm) Even Heat hot top(s) with:

- Heavy cast iron precision ground plate
- Front fired GRADIENT HEAT 18,500 BTU/hr burner
- Heat transfer studs cast in plate bottoms
- 2" (51mm) side and front flanges isolate heat under plate

## FRENCH-TOP FEATURES:

18" wide x 31" deep (457 x 787mm) French-Top with:

- Heavy cast iron precision ground plate with:
- Front-positioned removable ring & cover
- Front fired, banjo-type 35,000 BTU/hr burner
- Heat transfer studs cast in plate bottom
- Sloped, brick-lined flues for better heat transfer

## STANDARD BASE CONSTRUCTION:

- Satin finish stainless steel front, with 3" (76mm) deep front rail
- Stainless steel exterior bottom
- Stainless steel 4" (102mm) rear flue riser
- 4" (102mm) adjustable nickel finish legs
- 1-1/4" front gas manifold with 1/2 union on each end

## AGENCY APPROVALS

- NSF Listed
- ETL Design Certified to ANSI Z83.11 • CSA 1.8
- CE Approved • EN 203-1



HDCS-12 [Rev. 1/12]

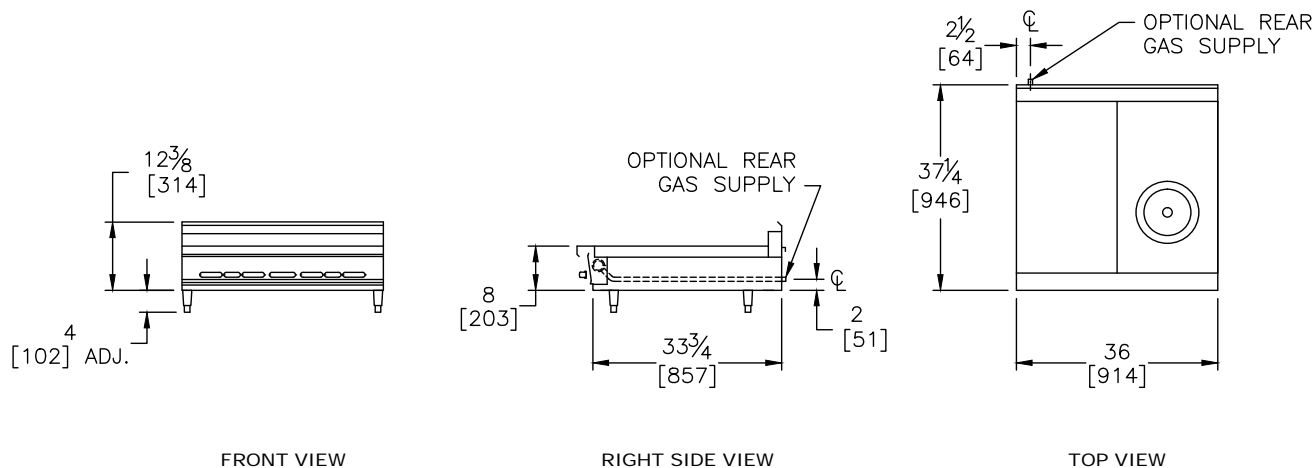
# LEGEND™ Heavy-Duty Gas 36" (914mm) Counter-Top Hot-Top Models

Item No. \_\_\_\_\_

Project \_\_\_\_\_

Quantity \_\_\_\_\_

Dimensions in brackets are millimeters



## OPTIONS GUIDE:

### General:

- 18" (457mm) high riser
- 6" (152mm) wide stainless steel plate shelf
- Equipment Stand [Consult Factory]

### Flex Connector Kit [1" NPT:

- 3' (914mm)  4' (1219mm)

### Security Options/Prison Package

[Consult Factory]

### Controls: [see Heavy Duty option page HDS-44]

- Electronic rangetop pilot ignition

- Flame failure rangetop safety valves
- Electronic rangetop pilot ignition & flame failure rangetop safety valves

### Manifolds:

[Specify left or right rear with pressure regulator]:

- 1" NPT up to 400,000 BTU/hr

### Manifold Cap:

- left side  right side

### Stainless Manifold Cover:

- left side  right side

### Finish:

- Stainless steel back panel

- Stainless steel side panels:

- left side  right side

### Special Finish

[Consult Factory]

### International Approvals:

- CE - Conformance Européenne - EN203-1  
*Includes flame failure valve option*
- AGA - Australian Gas Association - AS 4563  
*Includes flame failure valve option*
- Canadian Approval

## INSTALLATION REQUIREMENTS & SHIPPING INFORMATION

- Counter-Top Unit must be installed in accordance with local codes or in their absence with the National Fuel Gas Code: ANSI Z223.1; Natural Fuel Gas Code: CAN/CGA-B149.1 or Propane Installation Code: CAN/CGA-B149.2, as applicable. Compliance with codes is the responsibility of the Owner and Installer.
- An adequate ventilation system is required. Refer to National Fire Protection Association Standard No. 96, "Vapor Removal from Cooking Equipment."
- This appliance is intended for commercial use by professionally trained personnel. NOT intended for Residential Use.
- Specify installation elevation: \_\_\_\_\_ if above 2000 feet (610m).
- GAS INLET SIZE (All Models): 1-1/4 (32mm) front manifold with 1/2 union on each end provided for battery connection. A properly sized gas pressure regulator must be furnished by the Installer.
- The incoming gas line pressure into the regulator should be 8"-14" w.c. for natural gas, and 12"-14" w.c. for propane gas.

Minimum Clearances	Combustible Construction	Noncombustible Construction
From Back Wall	2" (51mm)	0"
Left & Right Side	6" (152mm)	0"
With or without 4" (102mm) legs	Suitable for installation on non-combustible counters ONLY	

Models:	Burners	Specify Type of Gas:		Shipping Weight	Shipping Class	Cube (Crated) ft <sup>3</sup> /m <sup>3</sup>
		<input type="checkbox"/> Natural	<input type="checkbox"/> Propane			
Manifold Pressure:		6.0" WC	10.0" WC			
		BTU/hr (kW)	BTU/hr (kW)			
C36-9E	3	60,000 (17.8)	60,000 (17.8)	375 lbs (170 kg)	85	14/.4
C36-9G	3	60,000 (17.8)	60,000 (17.8)	375 lbs (170 kg)	85	14/.4
C36-9A	2	70,000 (20.5)	70,000 (20.5)	340 lbs (154 kg)	85	14/.4
C36-9ASE	2	80,000 (23.4)	80,000 (23.4)	340 lbs (154 kg)	85	14/.4
C36-15 & 16	2	75,000 (22)	75,000 (22)	340 lbs (154 kg)	85	14/.4



## THE MONTAGUE COMPANY

1830 Stearman Avenue, Hayward, CA 94545  
800 345-1830 • Fax: 510 785-3342  
www.montaguecompany.com

Due to continuous product improvements, specifications are subject to change without notice.



HDCS-12 [Rev. 1/12]