



LEGEND™

Heavy-Duty 36" (914 mm) Gas Range

Item No. _____

Project _____

Quantity _____

(-5A) Top Series



Model 136-5A

MODEL GUIDE		
Model No.	Base Style/Type	-5A Range Top
136-5A	With Standard Oven	
V136-5A	With Convection Oven	
36-5A	With Cabinet Base	
M36-5A	With Modular Stand	

STANDARD (136-5A MODEL) OVEN FEATURES:

- 26" wide x 28" deep x 15" high (660 mm x 711 mm x 381 mm) cooking compartment
- Accepts 18" x 26" (457 mm x 660 mm) pans sideways or lengthwise
- Front-venting oven design for more even cooking
- Heavy-duty counterweighted oven door — no springs
- Three-position adjustable nickel-plated rack supports, with one rack standard
- Interior panels and door porcelain lined for long life & easy cleaning
- Low-to-500°F (260°C) thermostat mounted in insulated cool zone
- 40,000 BTU/hr cast iron burner with automatic ignition safety pilot

CONVECTION (V136-5A MODEL) OVEN FEATURES:

- 26" wide x 22-1/4" deep x 15" high (660 mm x 565 mm x 31 mm) cooking compartment
- Muffled, indirect-fired design with blower, for fast, even cooking
- Heavy-duty counterweighted oven door — no springs
- Five-position adjustable nickel-plated rack supports, with three racks standard
- Interior panels and door porcelain lined for long life & easy cleaning
- Low-to-500°F (260°C) thermostat mounted in insulated cool zone
- 45,000 BTU/hr cast iron burner with automatic ignition safety pilot

STANDARD CONSTRUCTION FEATURES:

- Satin finish stainless steel front with 3" (76 mm) deep front rail
- Other surfaces painted black with electrolytic zinc undercoating
- Stainless steel 4" (102 mm) rear flue riser standard
- 6" (152 mm) adjustable stainless steel legs standard (Except M36-5A Model)
- 28" (711 mm) stainless steel tubular legs standard with M36-5A Model
- Cabinet base with sides, back panel and two shelves on 36-5A Model
- 1-1/4" NPT front gas manifold with 1/2 union on each end

STANDARD WARRANTY:

- One Year, Parts & Labor
- Lifetime Warranty on Oven Door

AGENCY APPROVALS

- NSF Listed
- ETL Design Certified to ANSI Z83.11

SHORT/BID SPECIFICATION

Range shall be a Montague **Legend** Model [Specify one]:

- 136-5A**, with front vented 40,000 BTU/hr conventional oven with counterweighted door, porcelainized steel interior, three-position rack guides and one wire pan rack standard
- V136-5A**, with indirect-fired 45,000 BTU/hr convection oven with counterweighted door, porcelainized steel interior, five-position rack guides and three wire pan racks standard
- 36-5A**, with open front cabinet base with two shelves;
- M36-5A**, with 28" (711 mm) high modular stand with stainless steel tubular legs;

...a 36" (914 mm) wide heavy-duty gas-fired unit with two 18" (457 mm) heavy-duty cast iron, precision-ground open top grates, over 30,000 BTU/hr lift off star burners; provided with individual burner controls, automatic standing pilots; with stainless steel front and exterior bottom, black painted sides and back, 4" (102 mm) high flue riser and 3" (76 mm) deep front rail standard; plus all the features listed and options/accessories checked:

RANGE TOP FEATURES:

- Two 18" wide x 31" deep (457 mm x 787 mm) open burner tops, with:
- Heavily ribbed cast iron, surface-ground top grates
 - Two large diameter 30,000 BTU/hr lift off star burners with raised ports
 - Automatic, standing pilots
 - Drip pan positioned under burners



HDS-8 [Rev. 01/10]

Item No. _____

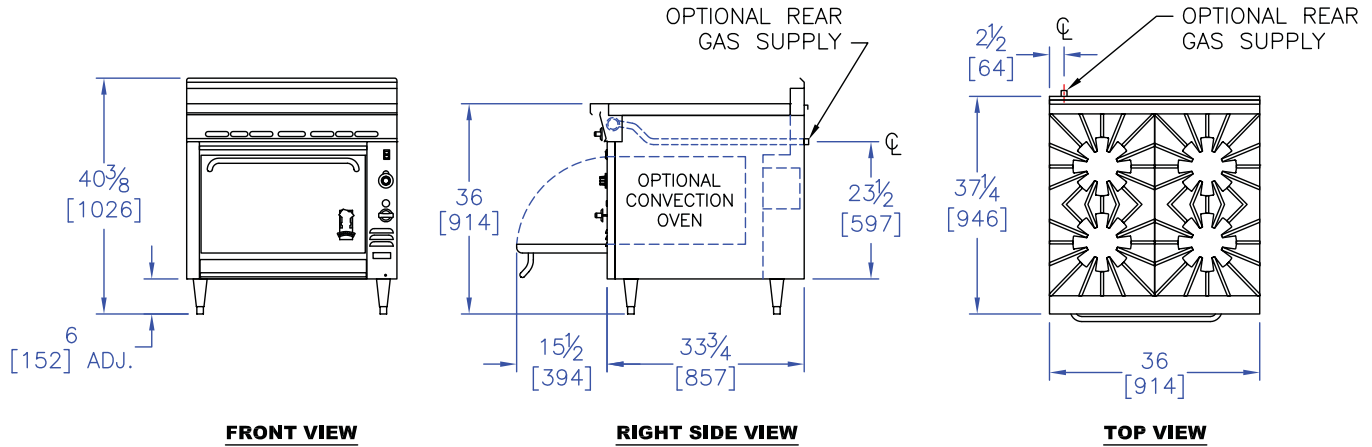
Project _____

Quantity _____

LEGEND™ Heavy-Duty 36" (914 mm) Gas Range

(-5A) Top Series

Dimensions in brackets are millimeters



OPTIONS GUIDE:

Open Burner Top Sections:

- 42" (1067 mm) range depth [Add Suffix: -40]
- 304 stainless steel burner box assembly

Back Panels/Shelves:

- 18" (457 mm) high back
- Single high shelf
- Double high shelf
- 6" (152 mm) wide stainless steel plate shelf
- 8" (203 mm) wide stainless steel plate shelf

Oven:

- Cast iron oven bottom
- Extra oven racks: ____ ea.

Manifolds: [Left rear with pressure regulator]:

- 1" NPT up to 400,000 BTU/hr
- Manifold Cap:** left side right side
- Stainless Manifold Cover:** left side right side

Finish:

- Stainless steel left side panel
- Stainless steel right side panel
- Stainless steel back panel
- Stainless steel exterior bottom
- Stainless steel shelves and sides [36-5A Cabinet Model]

General:

- Casters — set of four 5" (127 mm) casters
- Flex Connector Kit** [1"/25 mm]: 3' (914 mm) 4' (1219 mm)
- Security Options/Prison Package** [Consult Factory]

INSTALLATION REQUIREMENTS & SHIPPING INFORMATION

1. Ovens & ranges must be installed in accordance with local codes or in their absence with the National Fuel Gas Code: ANSI Z223.1; Natural Fuel Gas Code: CAN/CGA-B149.1 or Propane Installation Code: CAN/CGA-B149.2, as applicable. Compliance with codes is the responsibility of the Owner and Installer.
2. An adequate ventilation system is required. Refer to National Fire Protection Association Standard No. 96, "Vapor Removal from Cooking Equipment."
3. This appliance is intended for commercial use by professionally trained personnel. NOT intended for Residential Use.
4. Specify installation elevation: _____ if above 2,000 ft (610m).
5. GAS INLET SIZE (All Models): 1-1/4 (32mm) front manifold with 1/2 union on each end provided for battery connection. A properly sized gas pressure regulator must be furnished by the Installer.
6. The incoming gas line pressure into the regulator should be 8"-14" w.c. for natural gas, and 12"-14" w.c. for propane gas.

Minimum Clearances	Combustible Construction	Noncombustible Construction
From Back Wall*	2" (51 mm)	0"
Left & Right Side	15" (381 mm)	0"
With 6" (152 mm) legs	Suitable for installation on combustible floors	
*V136 Models require 2" (51 mm) for motor clearance at rear		

Specify Type of Gas:		<input type="checkbox"/> Natural	<input type="checkbox"/> Propane	Shipping Weight	Shipping Class	Cube (Crated) ft ³ /m ³
Gas Delivery Pressure:		6.0" WC	10.0" WC			
Models:	Burners	BTU/hr* (kW)	BTU/hr* (kW)			
136-5A	5	160,000 (46.9)	160,000 (46.9)	516 lbs (234 kg)	85	32/.9
V136-5A	5	165,000 (48.4)	165,000 (48.4)	550 lbs (249 kg)	85	32/.9
36-5A	4	120,000 (32.2)	120,000 (32.2)	353 lbs (160 kg)	85	27/.75
M36-5A	4	120,000 (32.2)	120,000 (32.2)	292 lbs (132 kg)	85	18/.5

Entry Clearance: 30" (762 mm) uncrated, with legs removed [All Models]

Due to continuous product improvements, specifications are subject to change without notice.



THE MONTAGUE COMPANY
 1830 Stearman Avenue, Hayward, CA 94545
 800 345-1830 • Fax: 510 785-3342
 www.montaguecompany.com



HDS-8 [Rev. 01/10]